



RUBBLECRUSHER

A McLanahan Company

SPARE PARTS CATALOGUE

Subject To Change Without Prior Notice



Table of Content

1	Spare Parts Ordering Information	1-1
1.1	Spare Parts Order Form.....	1-2
2	Spare Parts	2-1
2.1	Feed Hopper	2-3
	(1) Hopper Assembly	2-5
2.2	Screen Box.....	2-7
	(1) Discharge Chutes, Hanging Rubbers & Clamps	2-9
	(2) Screen Media, Capping Rubbers, Camber Bars & Tensioners	2-11
	(3) Spring Pods.....	2-13
	(4) Flywheel Covers & Drive Motor.....	2-15
	(5) Drive Motor Assembly	2-17
	(6) Flywheel Grease Lines, Underside Hanging Rubbers & Clamps.....	2-19
	(7) Side Walls & Crossbars.....	2-21
	(8) Screen Box Shaft, Bearings, Flywheels & Weights.....	2-23
2.3	Oversize Conveyor.....	2-25
	(1) Belt, Skirting Rubbers & Clamps, Bump Stops, Feedboot, Idler Drum & Bearings.....	2-27
	(2) Belt Scraper, Support Brace, Rollers & Nip Guards.....	2-29
	(3) Head Drum Assembly.....	2-31
2.4	Middle Grade Conveyor	2-33
	(1) Support Arms, Feedboot, Belt, Skirting Rubbers & Clamps.....	2-35
	(2) Upper Section Assembly	2-37
	(3) Lower Section Assembly	2-39
2.5	Collection Conveyor	2-41
	(1) Belt, Skirting Rubbers, Clamps, Idler & Drive Drum Assemblies.....	2-43
	(2) Wear Pads, Conveyor Frame, Underside Roller	2-45
2.6	Fines Conveyor	2-47
	(1) Support Arms, Feedboot, Belt, Skirting Rubbers & Clamps.....	2-49
	(2) Upper Section Assembly	2-51
	(3) Lower Section Assembly	2-53

- 2.7 Chassis.....2-55**
 - (1) Hydraulic Cylinders & Linkage2-57
 - (2) Beacon Tower, Control Levers2-59
 - (3) Crawler Tracks2-61
- 2.8 CAT C1.1 Power Unit.....2-63**
 - (1) Canopy Lid Assembly.....2-65
 - (2) Covers, Electrical Components, Air Pre-Cleaner, Exhaust System.....2-67
 - (3) Control Panel, Hydraulic Manifold, Directional Valves, Electrical Components2-69
 - (4) Engine, Drive System, Engine Mounts, Water Serator, Manual Fuel Priming Pump2-71
 - (5) Filters.....2-73
- 2.9 Optional Radio Remote.....2-75**
 - (1) Radio Remote Type.....2-77
- 2.10 Fuel Tank.....2-79**
 - (1) Fuel Tank Components2-81
- 2.11 Hydraulic Oil Tank.....2-83**
 - (1) Hydraulic Oil Tank Components2-85
- 3 Record of Revision 3-1**

1 Spare Parts Ordering Information

To ensure that you receive the parts you require without delay we will require the following information at the time of order:

- Your company name and delivery address.
- Your contact name and number.
- The machine serial number (see below for details).

The machine model number (see below for details).

- The part number.
- The part description.
- The quantity required.

Note: Ensure that you order all the required parts such as bolts and washers etc. Do not assume that such items will automatically be sent with main components.

An order form has been provided on the next page. Please use it to order your parts. If you require individual order forms please contact the RUBBLECRUSHER spare parts department.

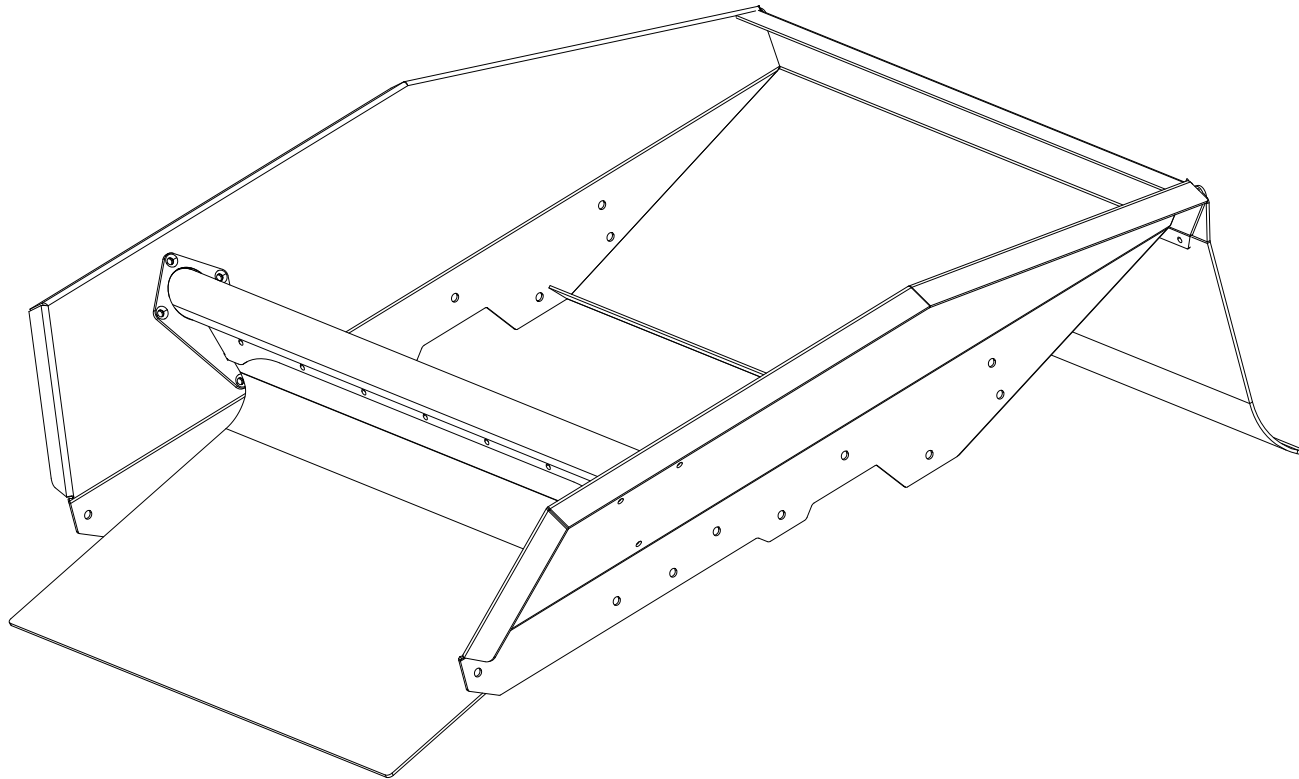
To order spares please contact:

RUBBLECRUSHER HQ
Little Alton Farm,
The Altons,
Ravenstone,
Coalville,
LE672AA
Tel: +44 01530 563600
Email: info@rubblecrusher.com

2 Spare Parts

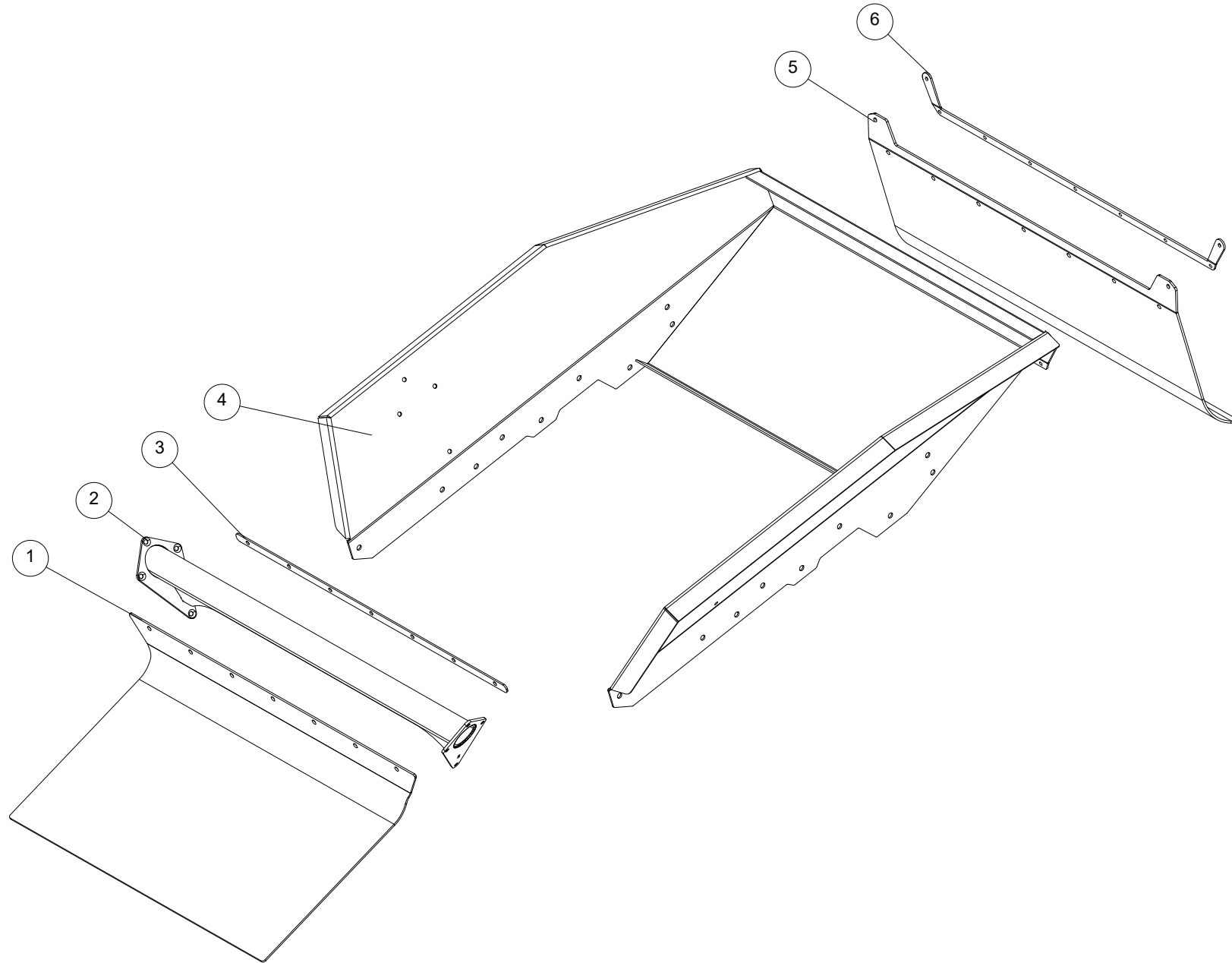
Intentionally Left Blank.

2.1 Feed Hopper

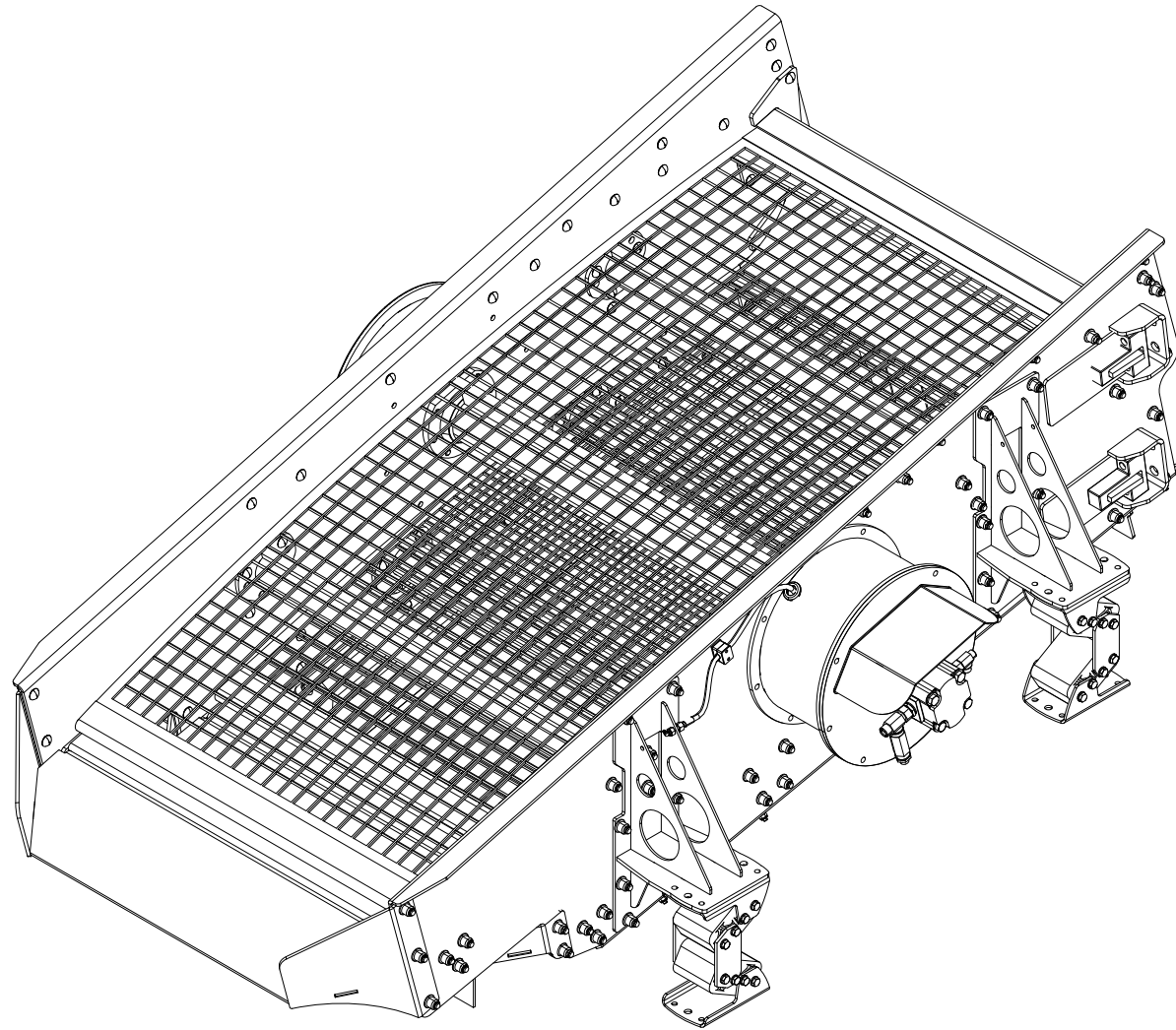


Intentionally Left Blank.

(1) Hopper Assembly

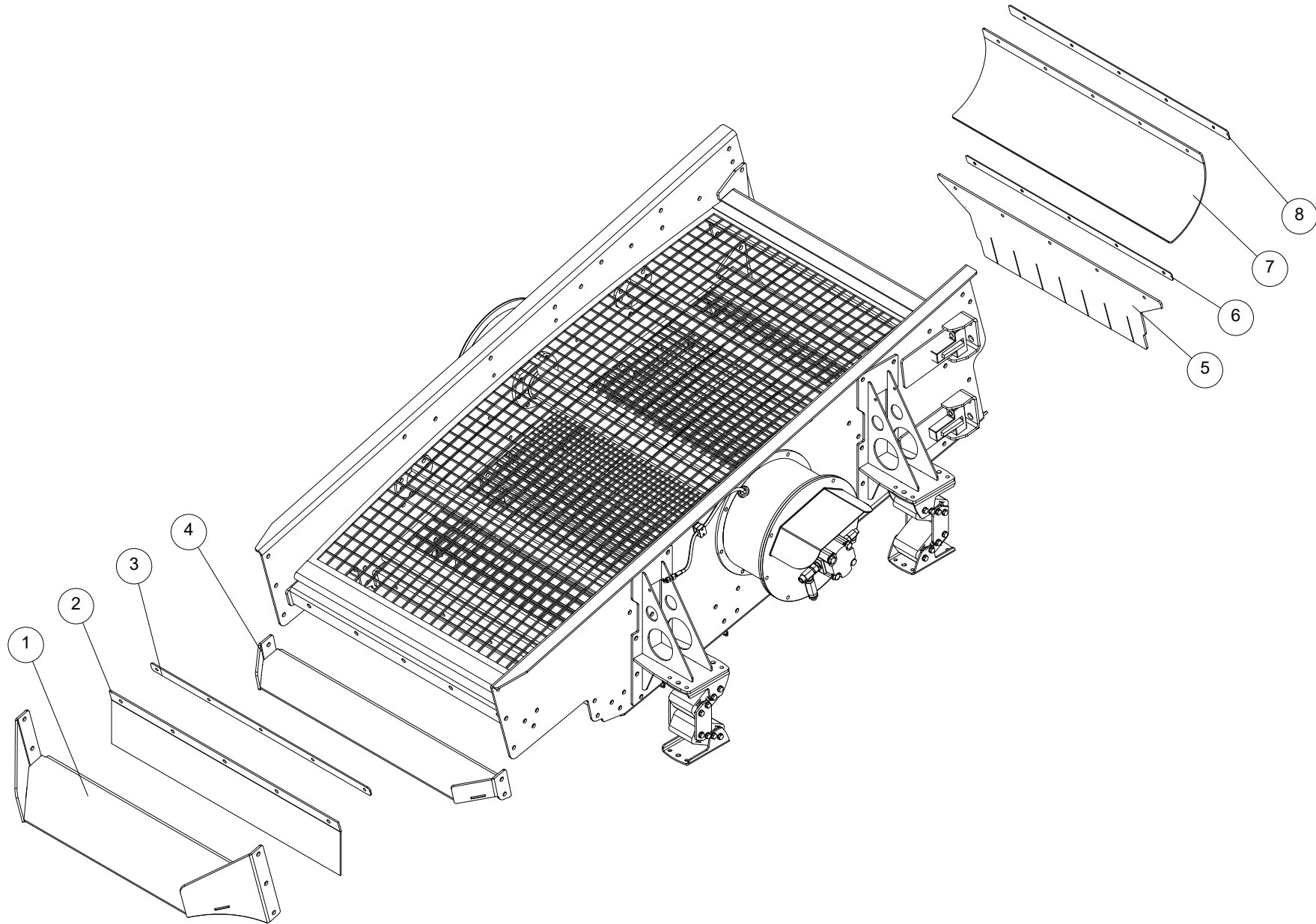


ITEM	PART NUMBER	DESCRIPTION	QTY
1	510-003-000-010.PRT	CS408 TOP DECK HANGING RUBBER	1
2	510-003-006.ASM	CS408 SCREEN BOX HOPPER BRACE BEAM	1
3	510-003-000-011.PRT	CS408 TOP DECK HANGING RUBBER CLAMP	1
4	510-003-007.ASM	CS408 SCREEN BOX FEED HOPPER	1
5	510-003-000-017.PRT	CS408 POWERUNIT HANGING RUBBER - 2 PLY	1
6	510-003-000-018.PRT	CS408 SCREEN BOX HOPPER REAR RUBBER CLAMP	1



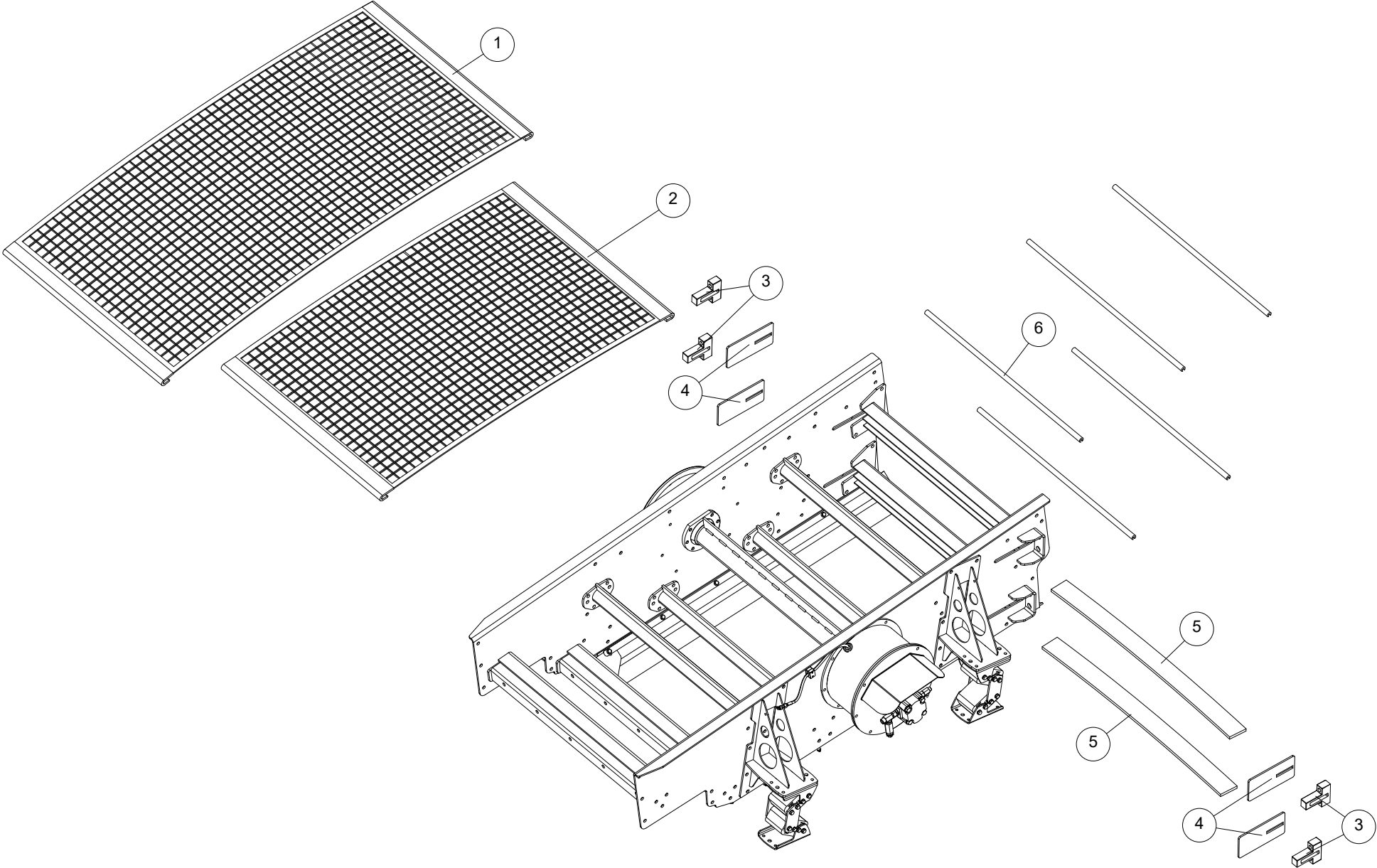
Intentionally Left Blank.

(1) Discharge Chutes, Hanging Rubbers & Clamps



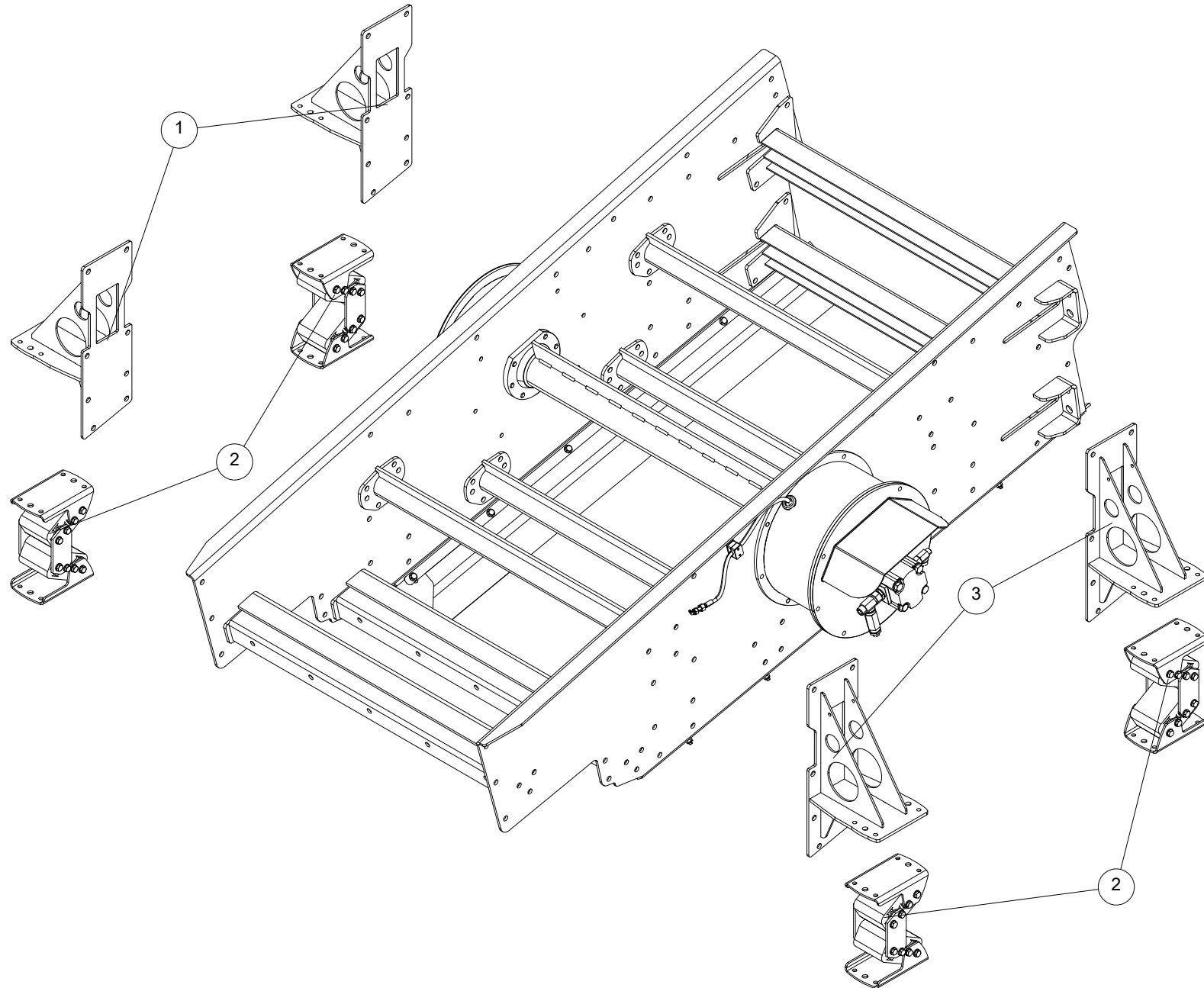
ITEM	PART NUMBER	DESCRIPTION	QTY
1	510-003-015.ASM	CS408 TOP DECK DISCHARGE CHUTE	1
2	510-003-000-004.PRT	CS408 2ND DECK HANGING DISCHARGE RUBBER 1 PLY	1
3	510-003-000-001.PRT	RUBBER CLAMP	1
4	510-003-016.ASM	CS408 BOTTOM DECK DISCHARGE CHUTE	1
5	510-003-000-014.PRT	CS408 SCREEN FINES DISCHARGE HANGING RUBBER - 2 PLY	1
6	510-003-000-025.PRT	CS408 SCREEN FINES DISCHARGE HANGING RUBBER CLAMP	1
7	510-003-000-009.PRT	CS408 2ND DECK HANGING FEED END RUBBER 1 PLY	1
8	510-003-000-015.PRT	CS408 2ND DECK HANGING FEED END RUBBER CLAMP	1

(2) Screen Media, Capping Rubbers, Camber Bars & Tensioners



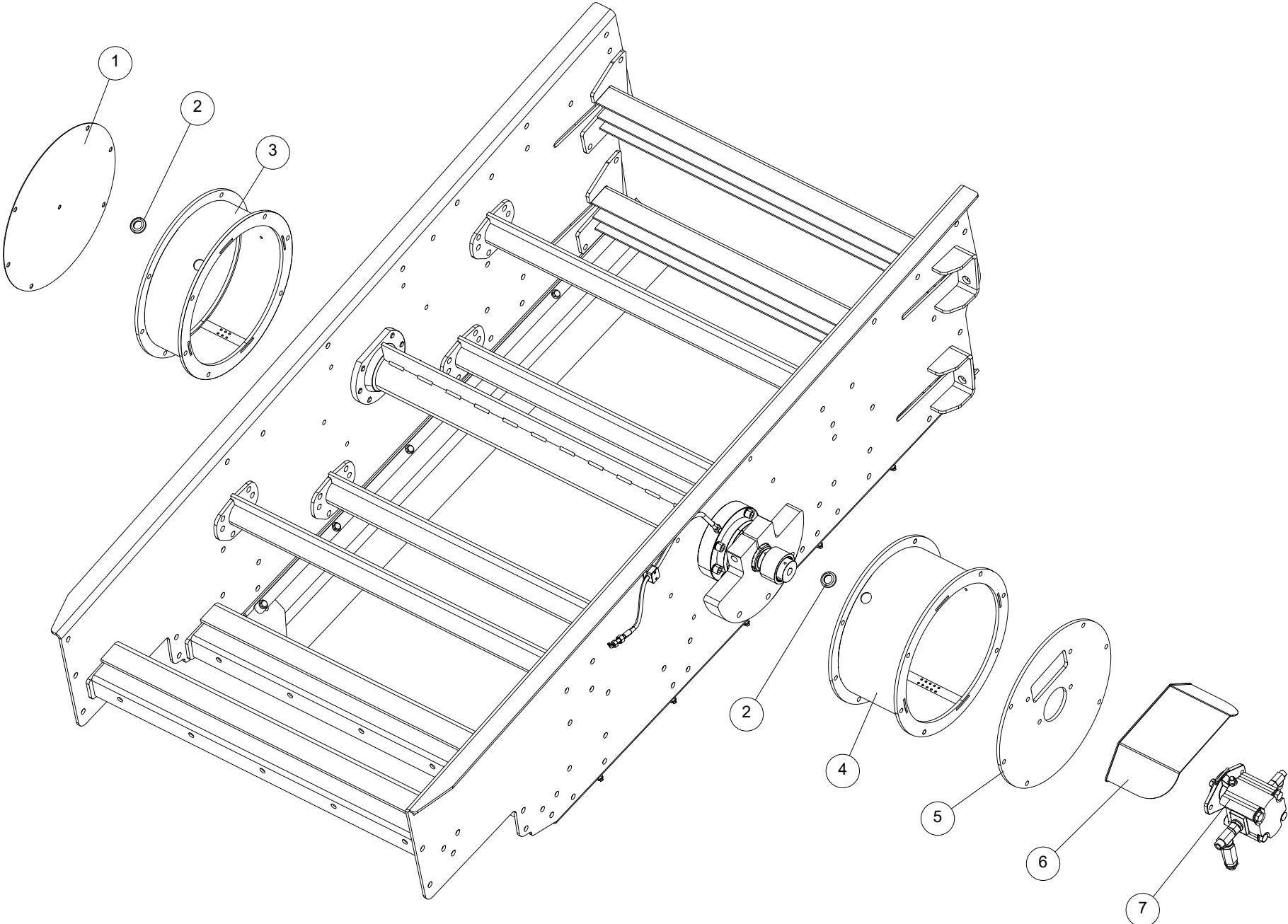
ITEM	PART NUMBER	DESCRIPTION	QTY
1	301-4146.PRT	CS408 TOP DECK MESH	1
2	301-3145.PRT	CS408 BOTTOM DECK MESH	1
3	301-0322.PRT	SCREEN TENSIONER	4
4	103-0057.PRT	SCREEN TENSIONER SLOT RUBBER 1-PLY	4
5	301-0326.PRT	CAMBER BAR 1360 LONG	2
6	510-003-000-016.PRT	CS408 SCREEN CAPPING RUBBER (1170MM) (SM01)	5

(3) Spring Pods



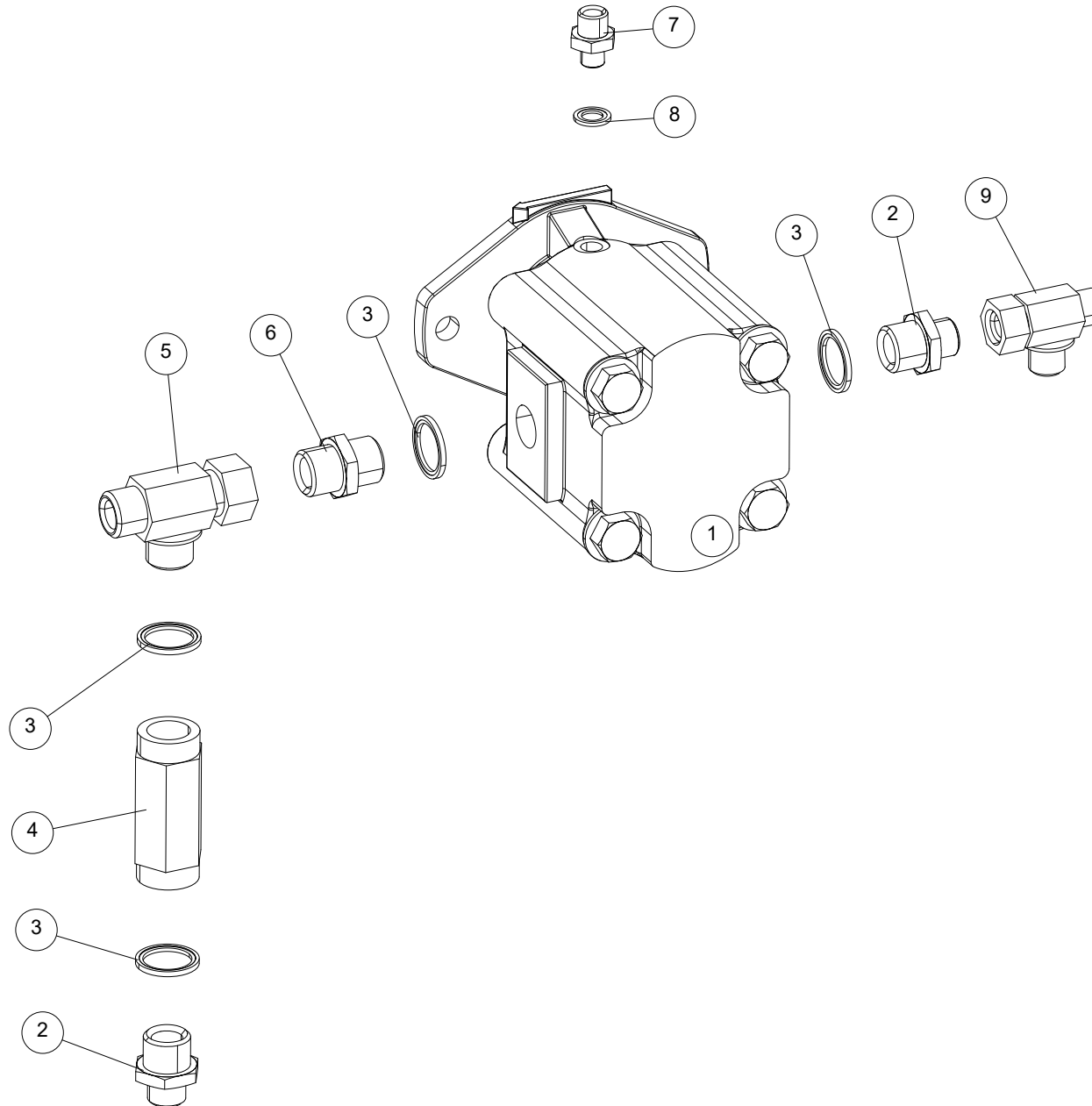
ITEM	PART NUMBER	DESCRIPTION	QTY
1	510-003-003.ASM	CS408 SPRING POD ASSEMBLY	2
2	301-4108.PRT	ROSTA SPRING - S176-OM-ABD50	4
3	510-003-018.ASM	CS408 SPRING POD ASSEMBLY	2

(4) Flywheel Covers & Drive Motor



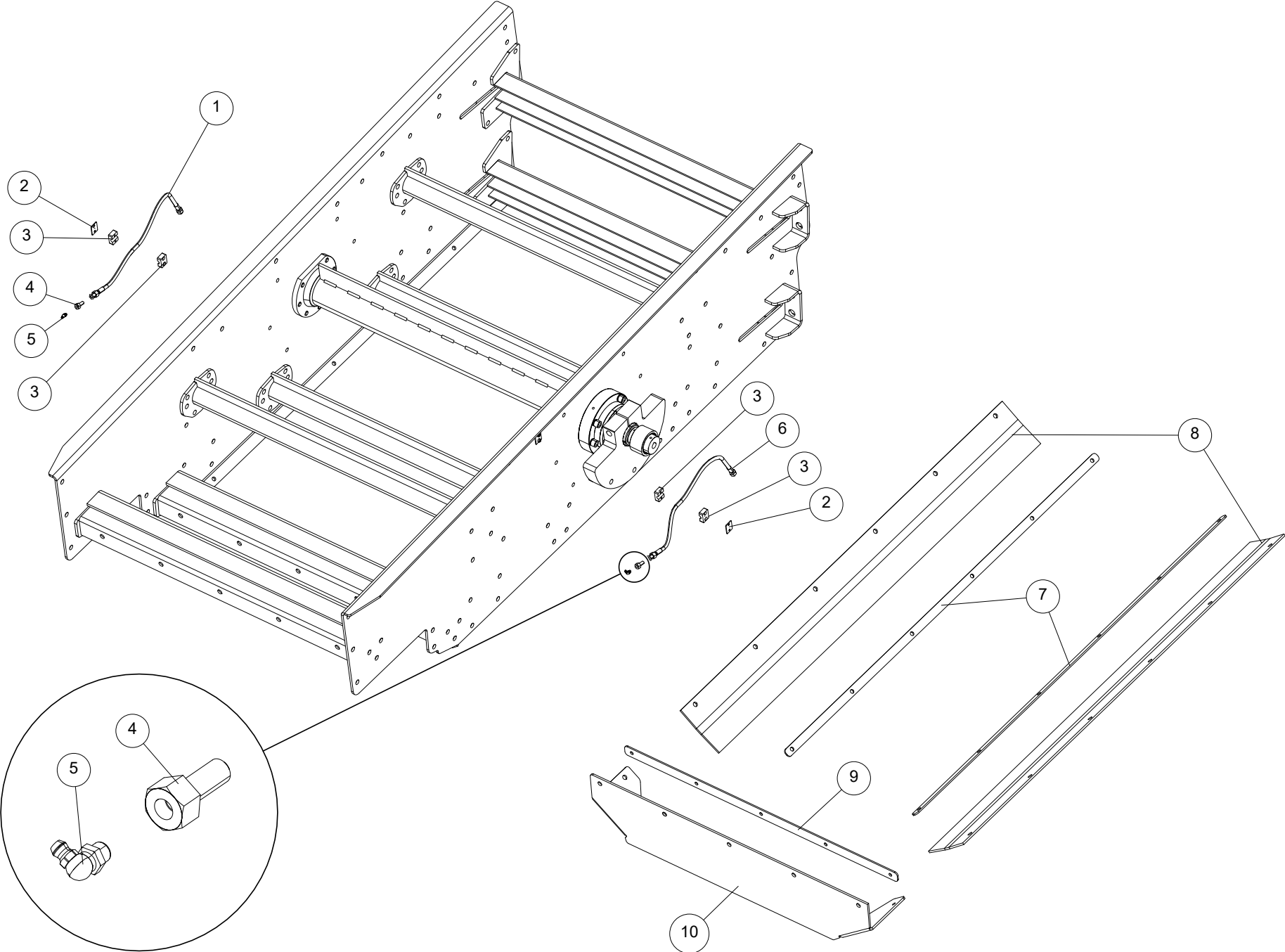
ITEM	PART NUMBER	DESCRIPTION	QTY
1	510-003-012-001.PRT	CS408 SCREEN NON DRIVE COVER PLATE	1
2	301-0997.PRT	RUBBER GROMMET 26-40MM	2
3	510-003-010.ASM	NON-DRIVE HOUSING	1
4	510-003-009.ASM	DRIVE HOUSING	1
5	510-003-011.ASM	CS408 MOTOR MOUNT PLATE ASM	1
6	510-003-019.ASM	CS408 MOTOR COVER	1
7	301-4133.PRT	CS408 SCREENBOX MOTOR - 41cc - 207BAR MAX PRESSURE - 2 BOLT/ 7/8" KEY	1

(5) Drive Motor Assembly



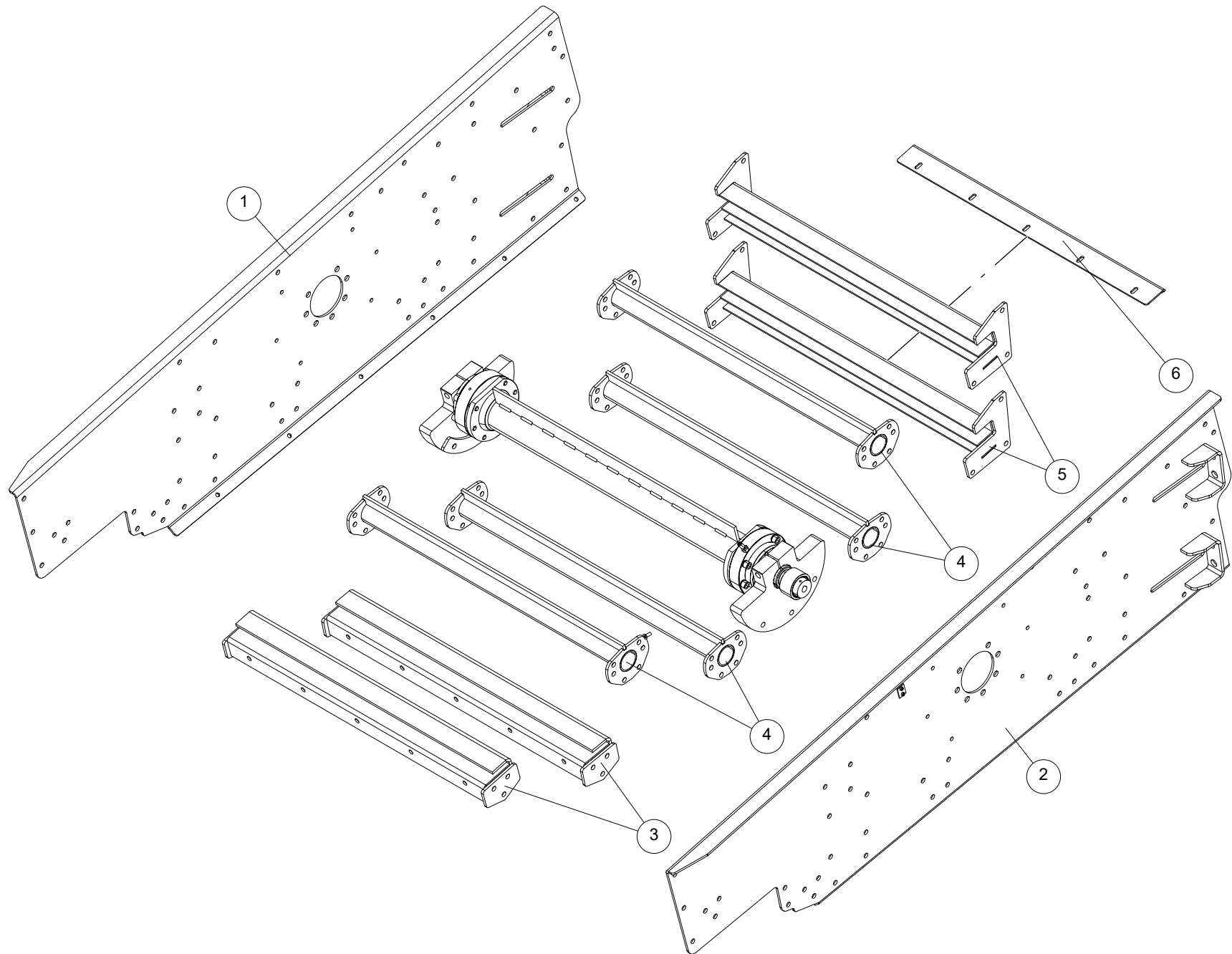
ITEM	PART NUMBER	DESCRIPTION	QTY
1	301-4133.PRT	CS408 SCREENBOX MOTOR - 41cc - 207BAR MAX PRESSURE - 2 BOLT/ 7/8" KEY	1
2	ADAPTOR_MM_PP_3-4X1-2	BSP1/2"X 3/4"BSP M/M P/P ADAPTOR	2
3	DOWTY_SEAL_3-4.PRT	IMP 3/4" DOWTY SEAL 400.027.4490.41	4
4	301-0960.PRT	5PSI CHECKVALVE3/4"	1
5	301-0963.PRT	TEE 3/4" M/M/F	1
6	ADAPTOR_MM_PP_3-4X3-4	BSP3/4" X 3/4" M/M P/P ADAPTOR	1
7	ADAPTOR_MM_PP_3-8X1-4	BSP1/4"X 3/8"BSP M/M P/P ADAPTOR 00006	1
8	DOWTY_SEAL_1-4.PRT	IMP 1/4" DOWTY SEAL 400.021.4490.41	1
9	301-3837.PRT	1/2" TEE M/F/M	1

(6) Flywheel Grease Lines, Underside Hanging Rubbers & Clamps



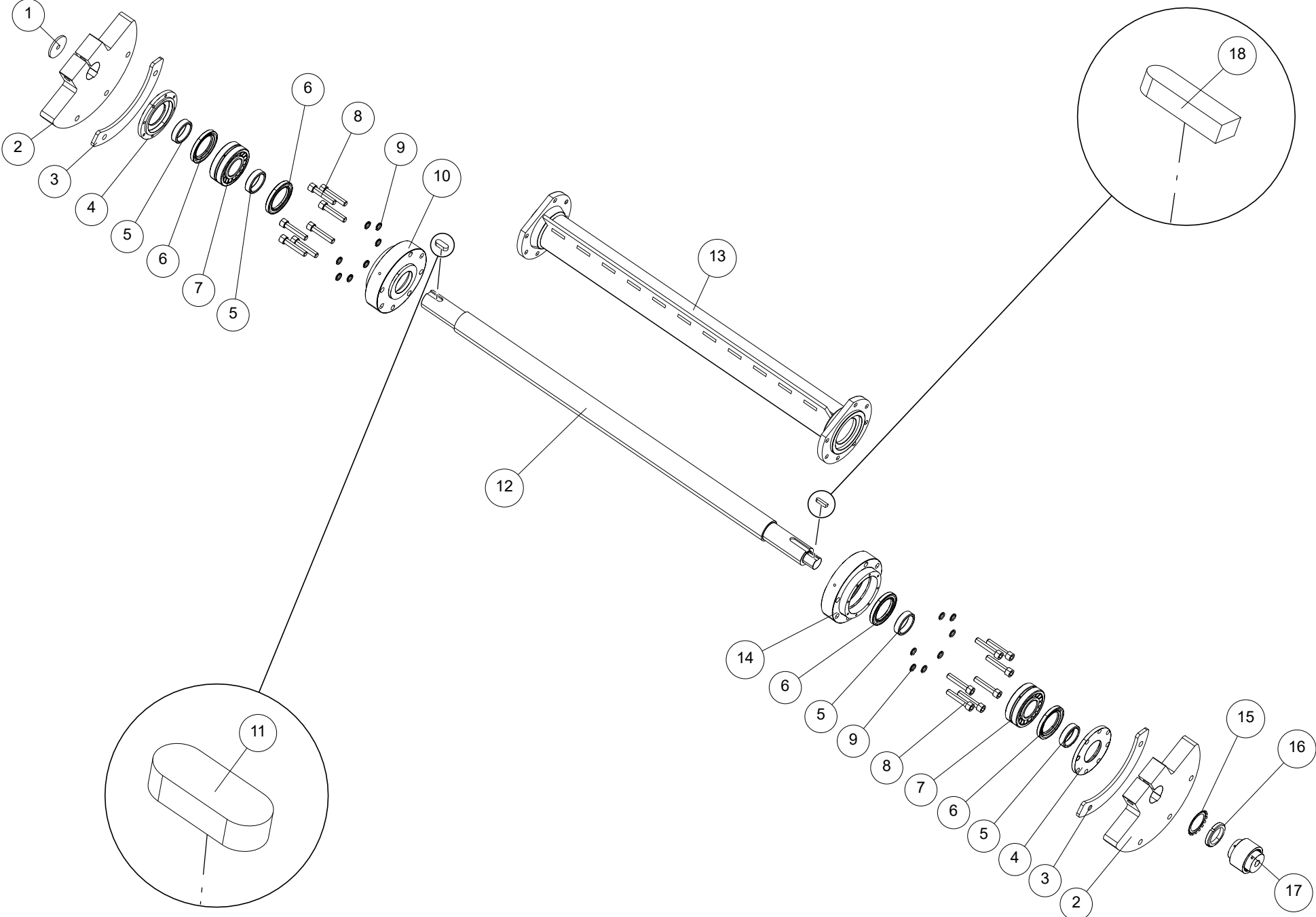
ITEM	PART NUMBER	DESCRIPTION	QTY
1	510-018-003-002.ASM	GREASE HOSE LHS TAIL DRUM BEARING TO CONV BH	1
2	301-0992.PRT	GREASE SINGLE CLAMP TOP	2
3	301-0991.PRT	GREASE SINGLE CLAMP	4
4	GREASE_BULKHEAD.PRT	BSP1/8" MALE BULKHEAD ADAPTOR C/W NUT	2
5	301-4152.PRT	90 DEGREE GREASE NIPPLE	2
6	510-018-003-001.ASM	GREASE HOSE LHS TAIL DRUM BEARING TO CONV BH	1
7	510-003-000-005.PRT	RUBBER CLAMP	2
8	510-003-000-003.PRT	CS408 SCREEN SIDE HANGING RUBBER - 1 PLY	2
9	510-003-000-001.PRT	RUBBER CLAMP	1
10	510-003-000-002.PRT	CS408 SCREEN REAR HANGING RUBBER - 2 PLY	1

(7) Side Walls & Crossbars



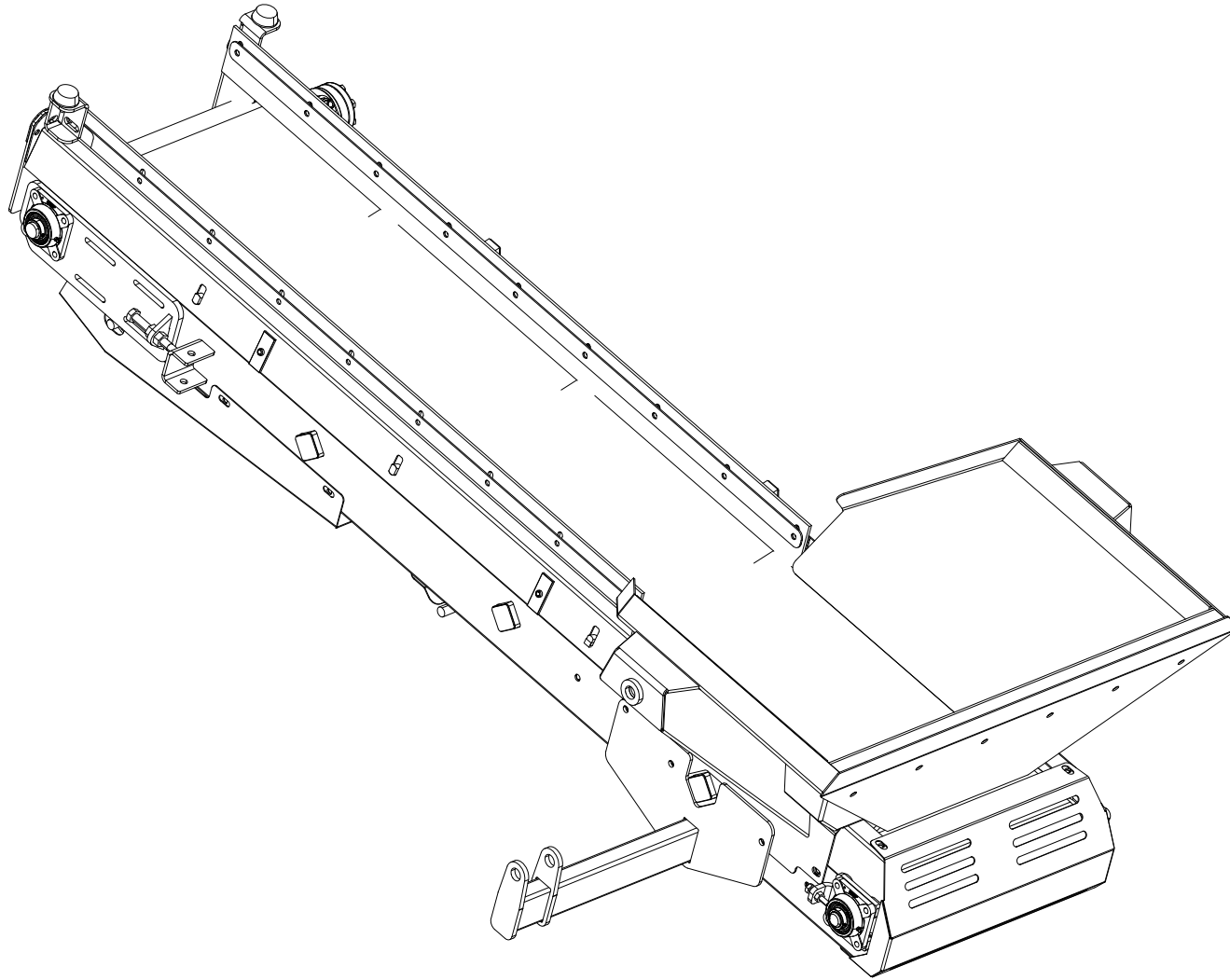
ITEM	PART NUMBER	DESCRIPTION	QTY
1	510-003-002.ASM	CS408 - RHS SCREENBOX SIDE	1
2	510-003-001.ASM	CS408 - LHS SCREENBOX SIDE	1
3	510-003-013.ASM	CS408 TOP DECK FIXED MESH CROSS BAR	2
4	510-003-005.ASM	CS408 SCREEN BOX TIE BAR	4
5	510-003-014.ASM	CS408 REAR MESH TENSION CROSS BAR	2
6	510-003-000-013.PRT	CS408 FINES DISCHARGE OVERHANG RUBBER CLAMP	1

(8) Screen Box Shaft, Bearings, Flywheels & Weights



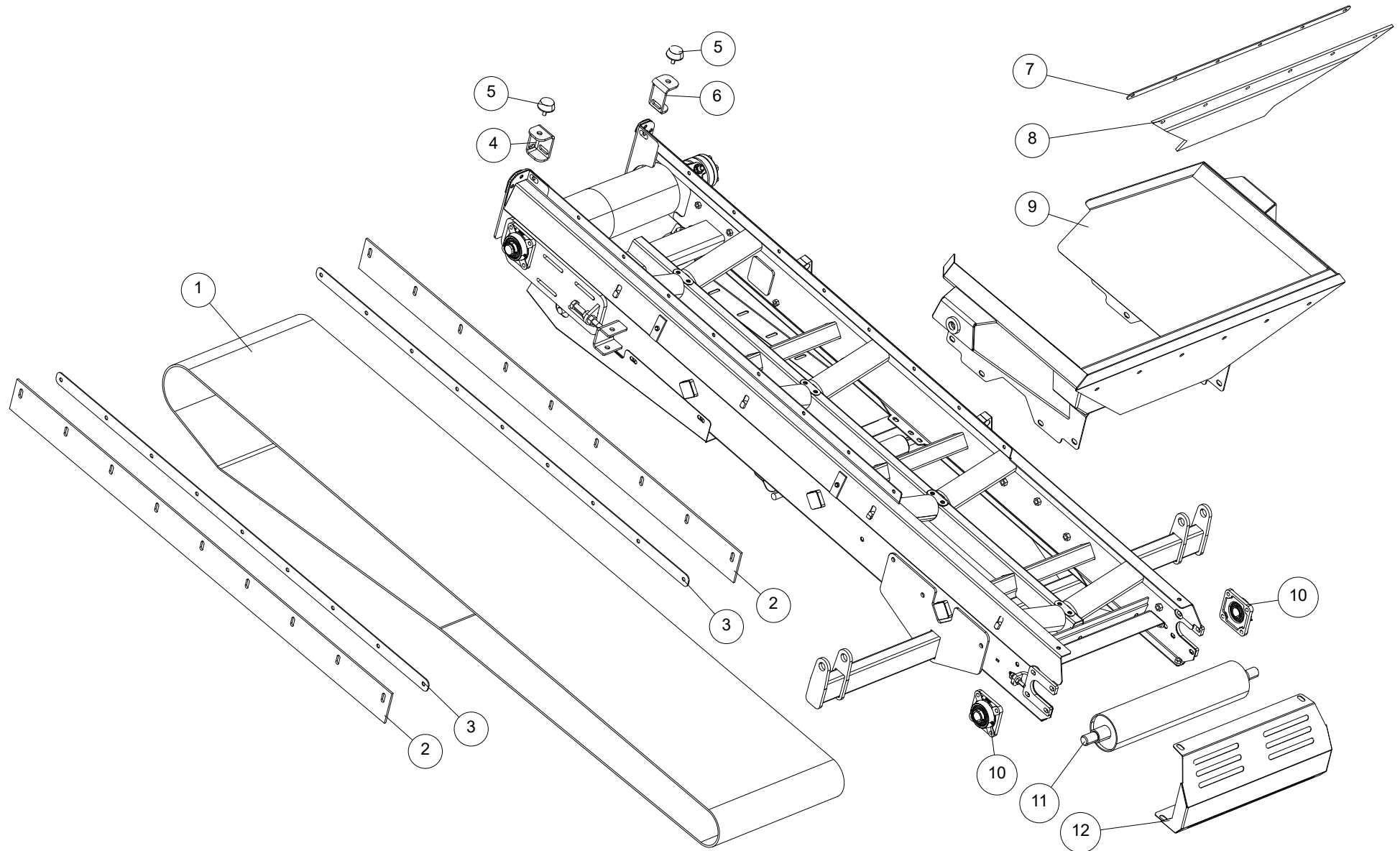
ITEM	PART NUMBER	DESCRIPTION	QTY
1	510-003-008-001.PRT	CS408 SCREENBOX RETENTION PLATE	1
2	301-4110.PRT	CS408 SCREEN KEYED FLYWHEEL	2
3	510-003-008-002.PRT	CS408 SCREENBOX FLYWHEEL 10MM WEIGHT	2
4	301-4113.PRT	CS408 SCREEN BEARING CAP	2
5	301-4129.PRT	CS408 SPACER BEARING SLEEVE	4
6	301-4114.PRT	LIP SEAL - S225-7511012-HMSA10	4
7	301-4111.PRT	CS408 SCREENBOX BEARING - 22312 - Q80	2
8	301-4149.PRT	M16 CAP HEAD BOLT 12.9 GRADE BS4168	14
9	301-4147.PRT	M16_NORD-LOCK_WASHER -	14
10	301-4132.PRT	CS408 SCREEN NON- DRIVE SIDE BEARING HOUSING	1
11	301-4190.PRT	18x11x45 KEYSTEEL	1
12	301-4109.PRT	CS408 SCREEN BOX SHAFT - 70MM EN24	1
13	510-003-004.ASM	CS408 SCREEN PIPE UNIT	1
14	301-4112.PRT	CS408 SCREEN DRIVE SIDE BEARING HOUSING	1
15	301-4131.PRT	CS408 SCREENBOX SHAFT MB12 LOCKWASHER	1
16	301-4130.PRT	CS408 SCREENBOX SHAFT KM12 LOCKNUT	1
17	301-4160.ASM	CS408 - SCREEN DENTEX B42 COUPLING AND A 48 FL 6 1/2	1
18	301-4191.PRT	12x8x40 KEYSTEEL	1

2.3 Oversize Conveyor



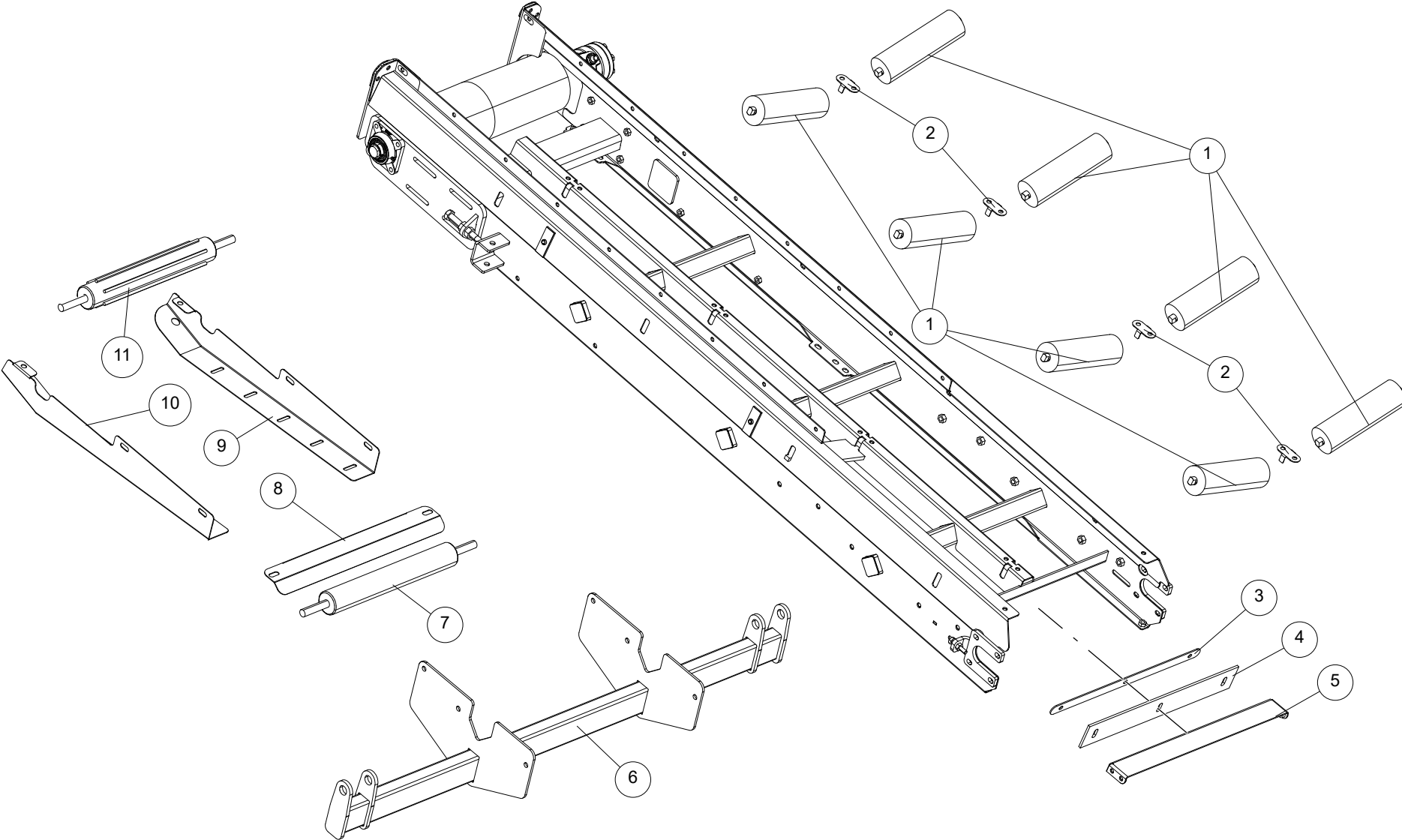
Intentionally Left Blank.

(1) Belt, Skirting Rubbers & Clamps, Bump Stops, Feedboot, Idler Drum & Bearings



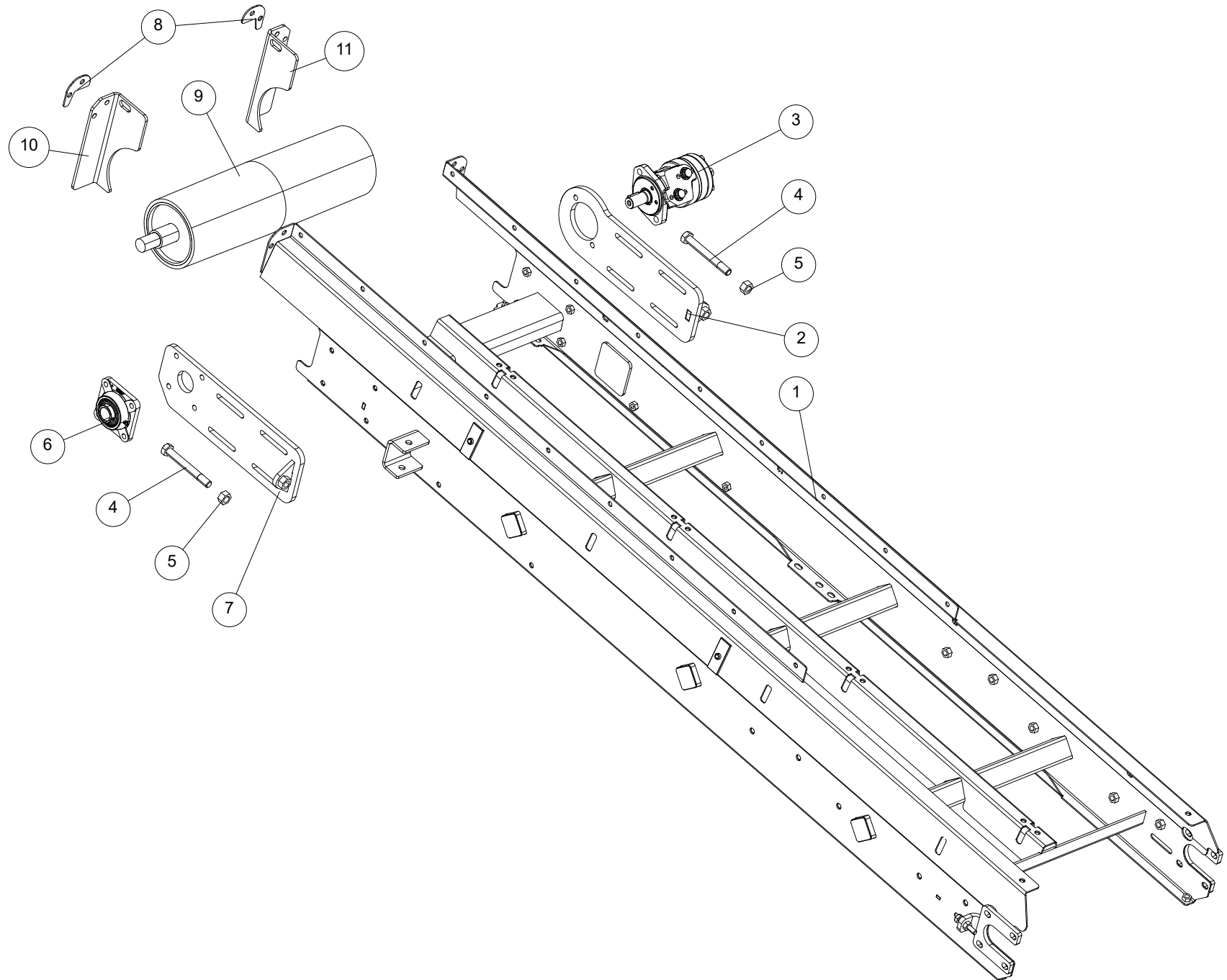
ITEM	PART NUMBER	DESCRIPTION	QTY
1	301-4124.PRT	TAIL BELT 500mm WIDE EP315/3 3+1.5 C/W 15mm (H) X 385mm (W) PATTERN VULCANIS	1
2	510-004-000-003.PRT	TAIL 6MM SKIRTING RUBBER	2
3	510-004-000-004.PRT	TAIL SKIRT CLAMP	2
4	510-004-010-001.PRT	CS408 TAIL CONVEYOR BUMP STOP	1
5	301-2271.PRT	RUBBER BUFFER AV INDUSTRIAL #5020MCBT28	2
6	510-004-011-001.PRT	CS408 TAIL CONVEYOR BUMP STOP	1
7	510-004-000-026.PRT	TAIL REAR SKIRT CLAMP	1
8	510-004-000-025.PRT	CS408 TAIL CONVEYOR REAR HANGING RUBBER - 2 PLY	1
9	510-004-002.ASM	FEEDBOOT MOUNT	1
10	301-4119.ASM	30MM FLANGE BEARING	2
11	301-4122.ASM	115MM DIA 530MM FACE TAIL DRUM	1
12	510-004-015-001.PRT	CS408 TAIL REAR DRUM GUARD	1

(2) Belt Scraper, Support Brace, Rollers & Nip Guards



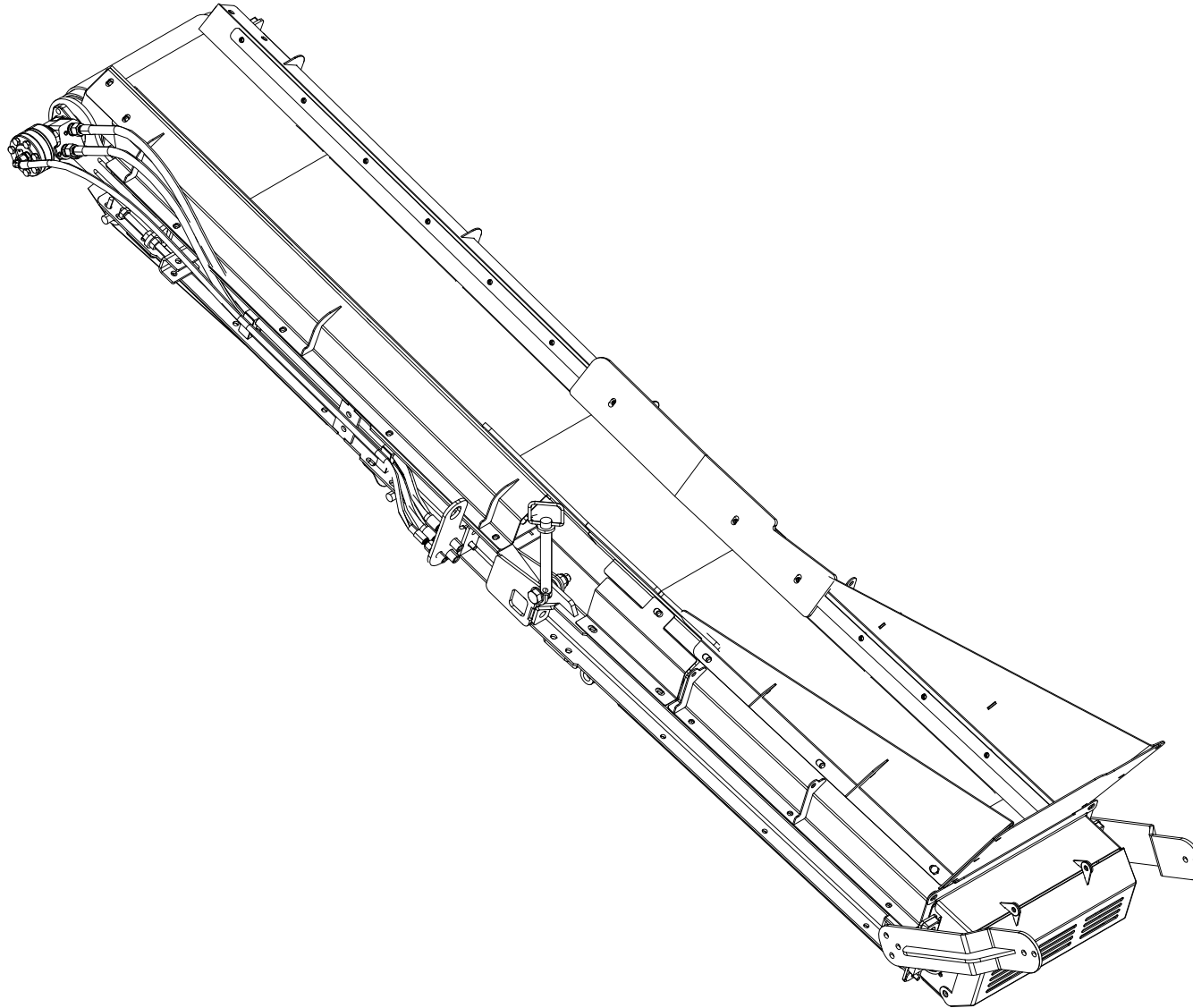
ITEM	PART NUMBER	DESCRIPTION	QTY
1	301-4151.PRT	CENTRE ROLLER 76MM DIA X 250MM FACE 20MM SPINDLE	8
2	510-004-000-001.PRT	TAIL ROLLER RETAINER	4
3	510-004-000-007.PRT	TAIL SKIRT CLAMP	1
4	510-004-000-005.PRT	TAIL 6MM PLOUGH RUBBER	1
5	510-004-006.ASM	CONVEYOR PLOUGH MOUNT	1
6	510-004-003	TAIL CROSS MEMBER	1
7	301-4144.PRT	L600 430FACE 63DIA RETURN ROLLER	1
8	510-005-000-009.PRT	26" DISC ROLLER GUARD	1
9	510-004-000-027.PRT	BEATER ROLLER GUARD	1
10	510-004-000-028.PRT	BEATER ROLLER GUARD	1
11	301-4143	L600 430FACE 63DIA BEATER ROLLER	1

(3) Head Drum Assembly



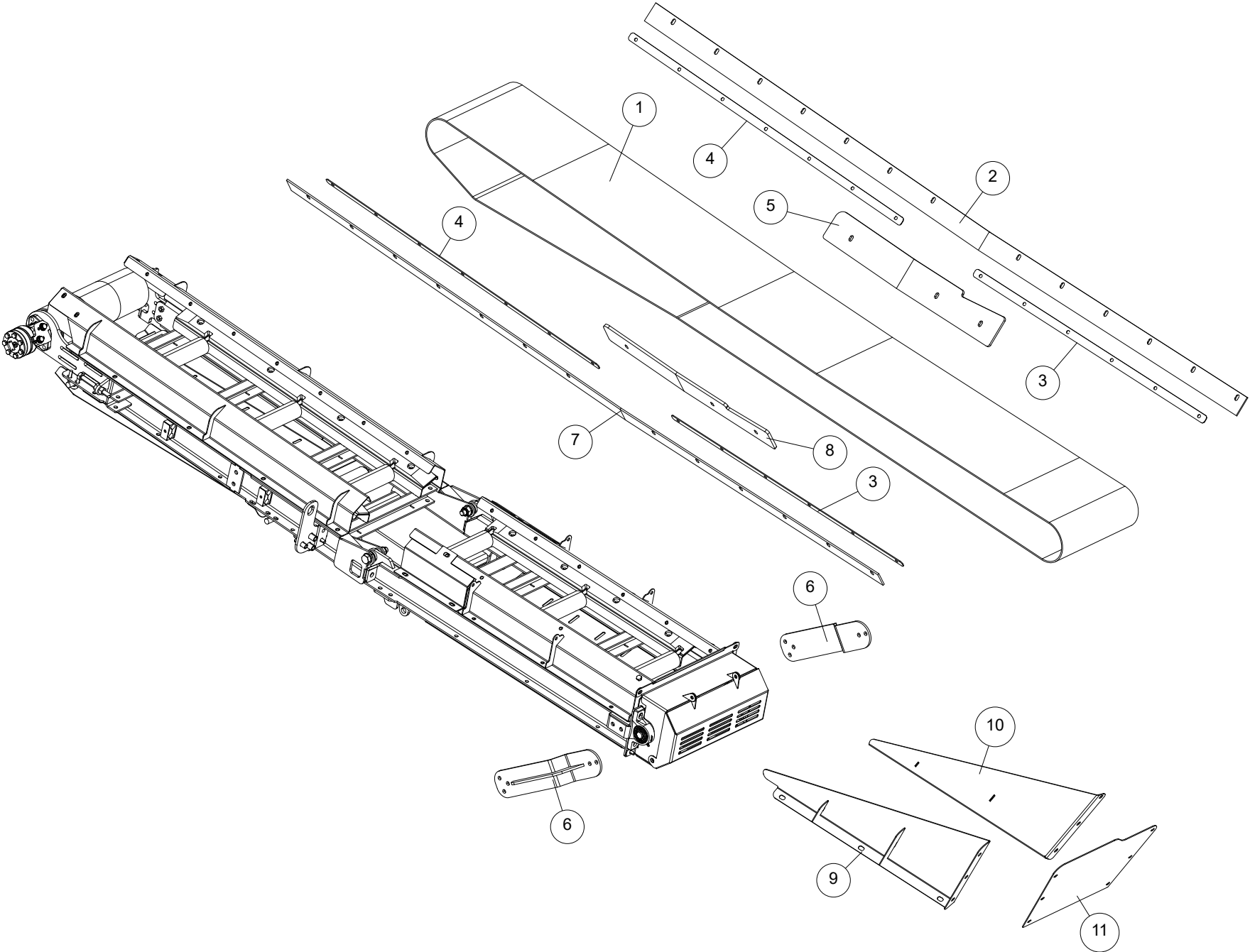
ITEM	PART NUMBER	DESCRIPTION	QTY
1	510-004-001.ASM	TAIL CONVEYOR FRAME	1
2	510-004-005.ASM	HEAD DRUM BEARING MOUNT RH	1
3	301-4118.PRT	WP MOTOR - 25MM SHAFT - 2-BOLT SAE FLANGE - 1/2"BSP PORTS	1
4	M16X130.PRT	M16X130 BOLT8.8ZP	2
5	M16_PLAIN.PRT	M16 PLAIN NUT	2
6	301-4119.ASM	30MM FLANGE BEARING	1
7	510-004-004.ASM	HEAD DRUM BEARING MOUNT LH	1
8	510-004-000-030.PRT	FRONT RUBBER MOUNT PLATES	2
9	301-4123.ASM	250MM DIA 530MM FACE DRIVE DRUM	1
10	510-004-000-022.PRT	HEAD DRUM RUBBER	1
11	510-004-000-021.PRT	HEAD DRUM RUBBER	1

2.4 Middle Grade Conveyor



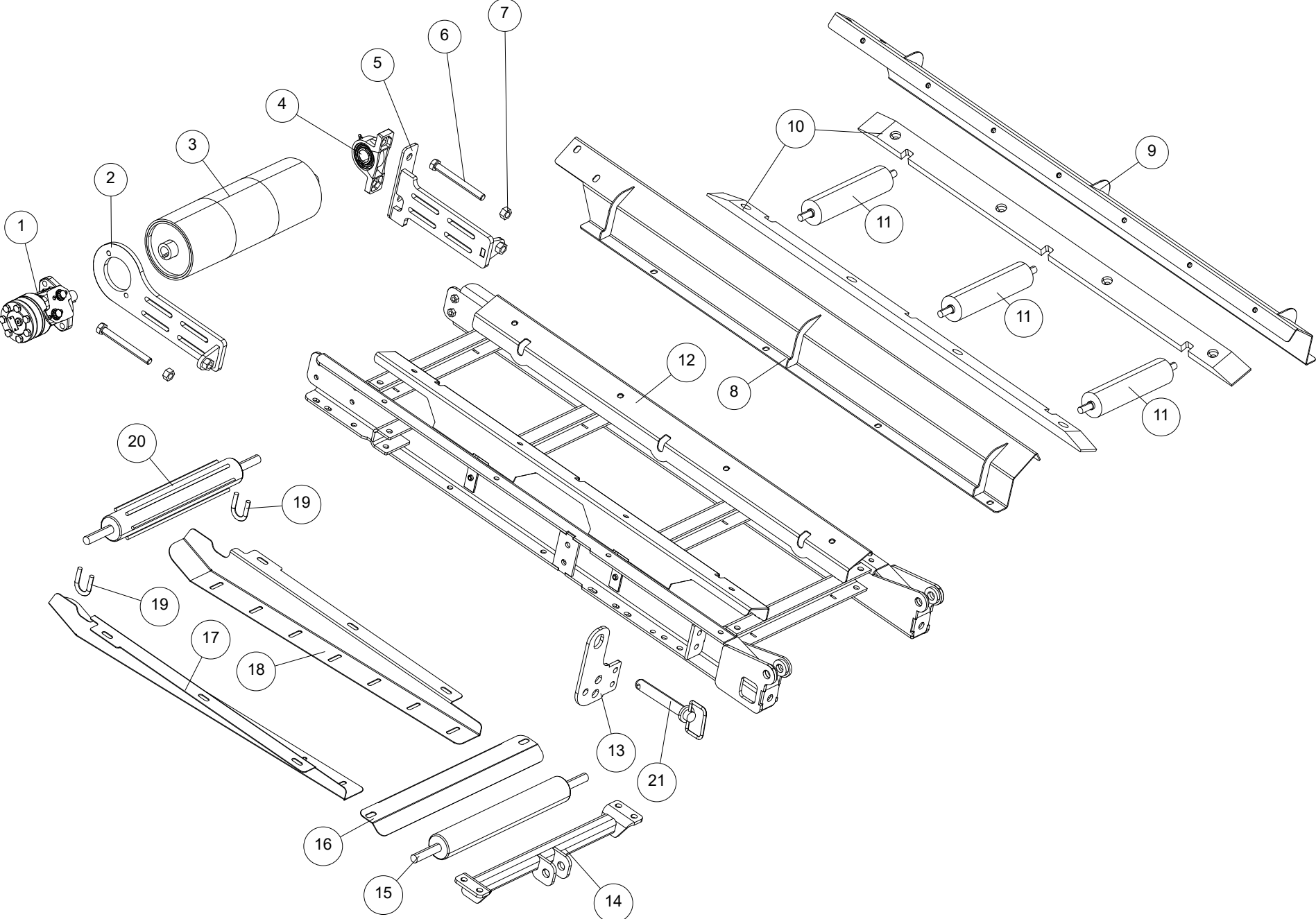
Intentionally Left Blank.

(1) Support Arms, Feedboot, Belt, Skirting Rubbers & Clamps



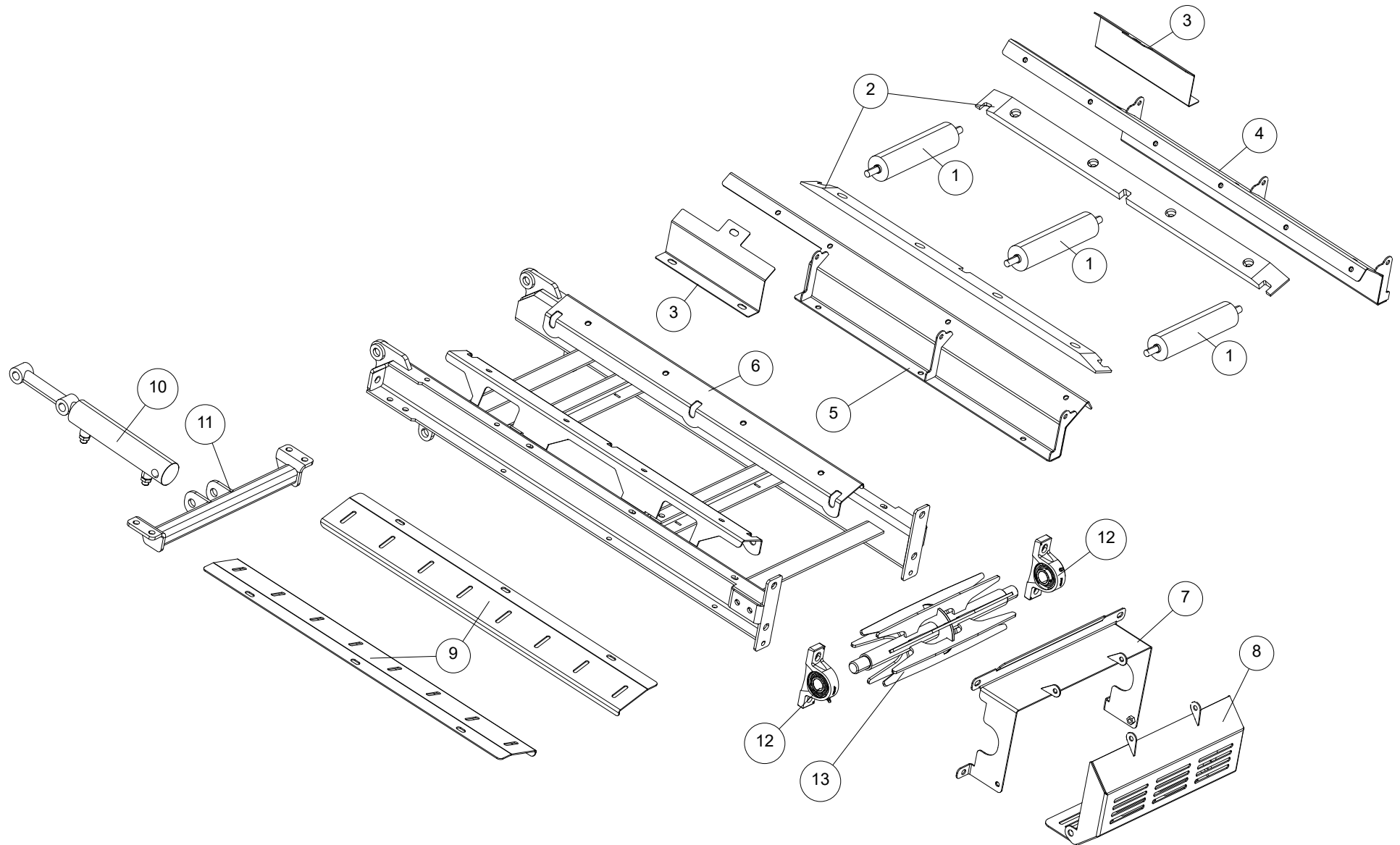
ITEM	PART NUMBER	DESCRIPTION	QTY
1	301-4134.PRT	BELT 400mm WIDE EP315/3 3+1.5	1
2	510-006-000-006.PRT	SIDE 6MM SKIRTING RUBBER 50 SHORE	1
3	510-005-000-004.PRT	LOWER SKIRT CLAMP	2
4	510-006-000-007.PRT	LOWER SKIRT CLAMP	2
5	510-005-000-043.PRT	SIDE 6MM SKIRTING RUBBER 50 SHORE	1
6	510-005-010.ASM	SIDE CONVEYOR MOUNT	2
7	510-006-000-001.PRT	SIDE 6MM SKIRTING RUBBER 50 SHORE	1
8	510-005-000-042.PRT	SIDE 6MM SKIRTING RUBBER 50 SHORE	1
9	510-006-011.ASM	MIDS SIDE FEEDBOOT	1
10	510-006-012.ASM	MIDS SIDE FEEDBOOT	1
11	510-006-010-001.PRT	MIDS REAR FEEDBOOT	1

(2) Upper Section Assembly



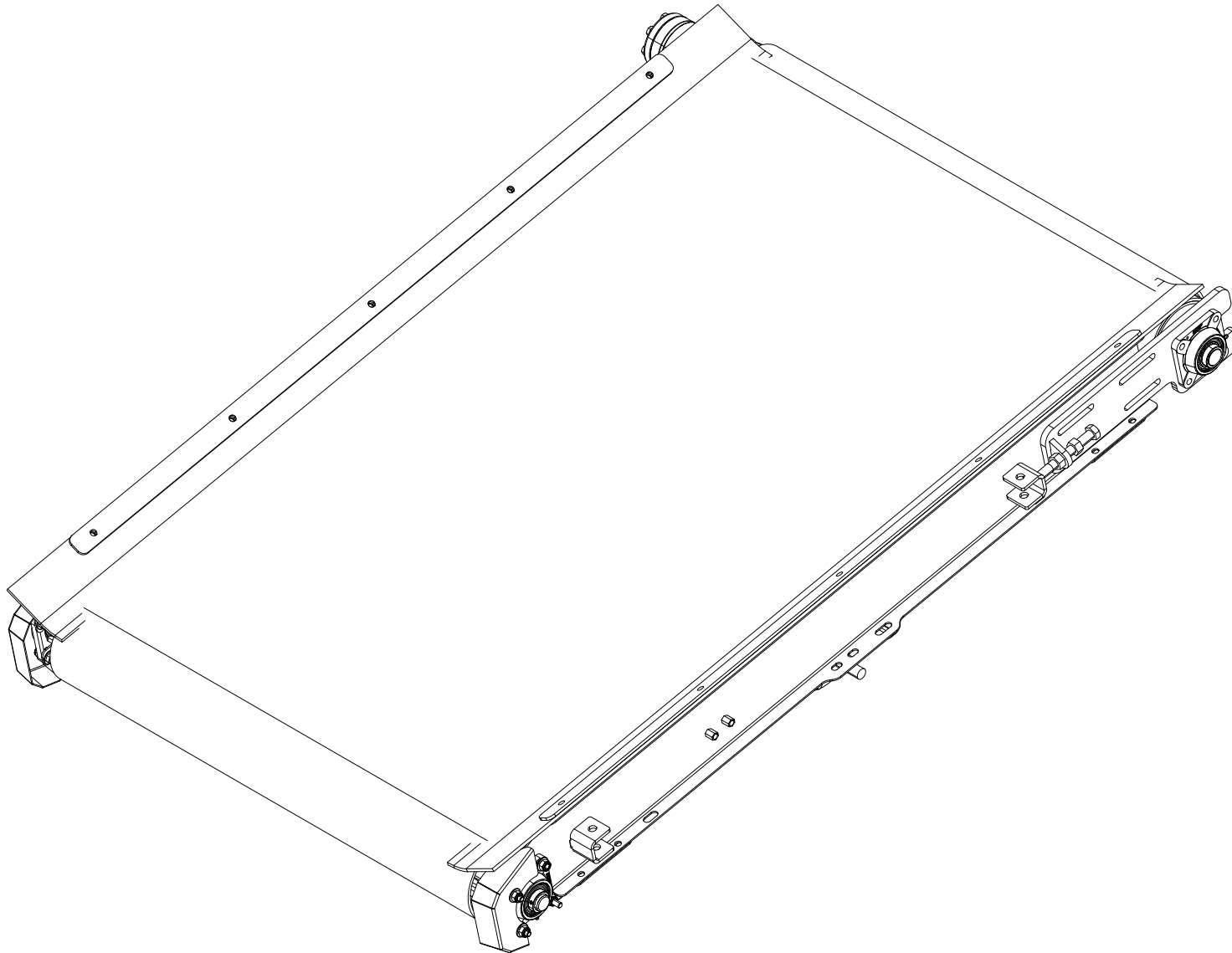
ITEM	PART NUMBER	DESCRIPTION	QTY
1	301-4118.PRT	WP MOTOR - 25MM SHAFT - 2-BOLT SAE FLANGE - 1/2"BSP PORTS	1
2	510-005-005.ASM	COLLECTION HEAD BEARING ADJUSER	1
3	301-4127.ASM	SIDE CONVEYOR HEAD DRUM	1
4	301-4125.ASM	30MM PILLOW BLOCK BEARING	1
5	510-005-006.ASM	COLLECTION HEAD BEARING ADJUSER	1
6	M16X150.PRT	M16X150 BOLT8.8ZP	1
7	M16_PLAIN.PRT	M16 PLAIN NUT	1
8	510-006-009.ASM	SIDE CONV LOWER SKIRT	1
9	510-006-008.ASM	SIDE CONV LOWER SKIRT	1
10	301-4165.PRT	1200MM LONG 20MM REGEN 1000 POLYETHYLENE SLIDER	2
11	301-4121.PRT	CENTRE ROLLER 63MM DIA X 250MM FACE 20MM SPINDLE M16 THREAD	3
12	510-006-003.ASM	SIDE UPPER SECTION	1
13	510-006-013-001.PRT	MIDS CONVEYOR TIE	1
14	510-006-015.ASM	SIDE CONVEYOR RAM MOUNT	1
15	301-4144.PRT	L600 430FACE 63DIA RETURN ROLLER	1
16	510-005-000-009.PRT	26" DISC ROLLER GUARD	1
17	510-005-000-010.PRT	BEATER ROLLER GUARD LH	1
18	510-005-000-008.PRT	BEATER ROLLER GUARD	1
19	301-2010.PRT	M10 U-BOLT	2
20	301-4143	L600 430FACE 63DIA BEATER ROLLER	1
21	301-0959.PRT	GEN FIT PIN G4099 1"x155mm PIN CHAIN AND CLIP	1

(3) Lower Section Assembly



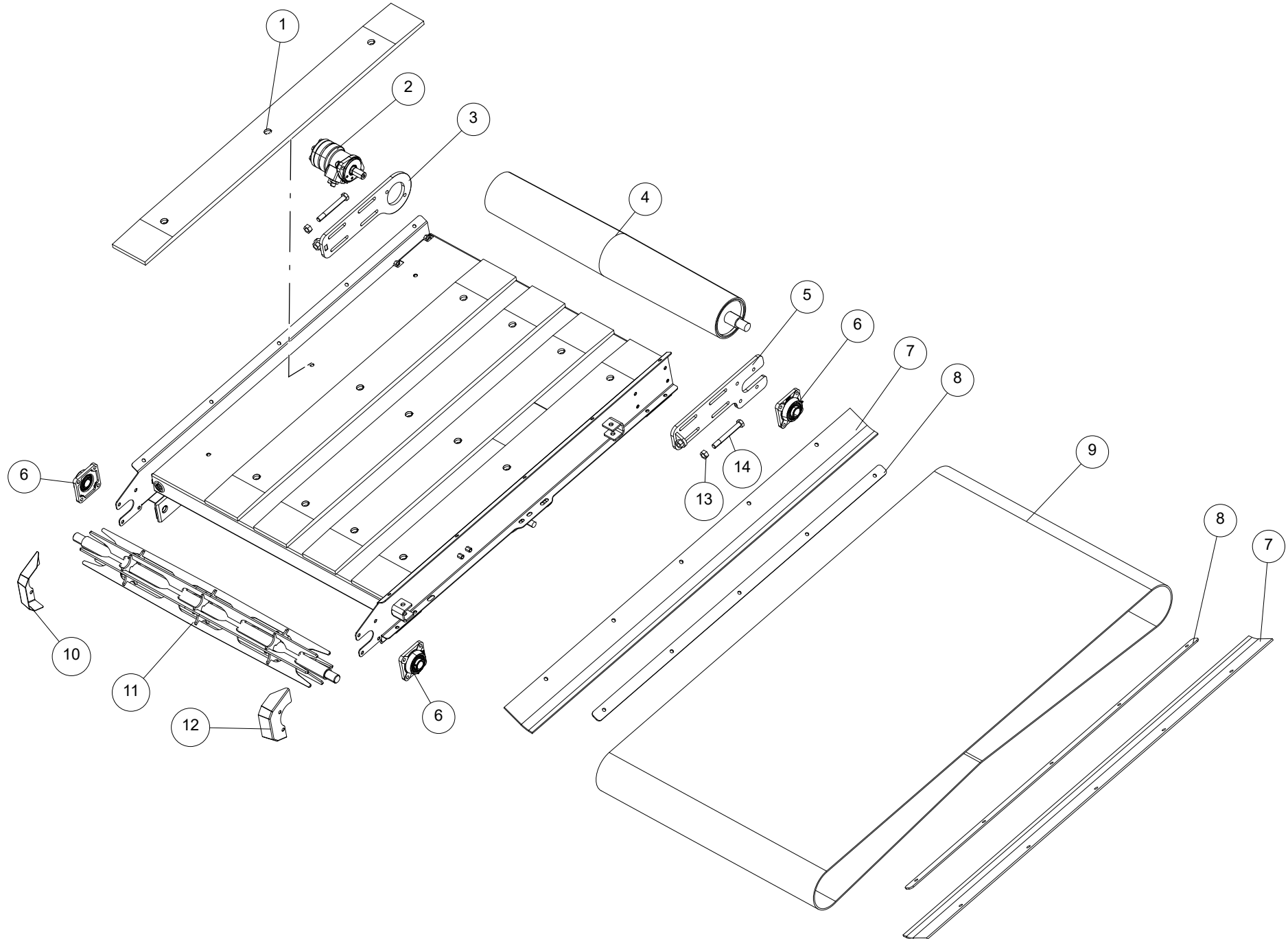
ITEM	PART NUMBER	DESCRIPTION	QTY
1	301-4121.PRT	CENTRE ROLLER 63MM DIA X 250MM FACE 20MM SPINDLE M16 THREAD	3
2	301-4150.PRT	950MM LONG 20MM REGEN 1000 POLYETHYLENE SLIDER	2
3	510-005-000-015.PRT	SIDE SKIRT MOUNT	2
4	510-005-009.ASM	SIDE CONV LOWER SKIRT	1
5	510-005-002.ASM	SIDE CONV LOWER SKIRT	1
6	510-006-001.ASM	SIDE LOWER SECTION	1
7	510-006-005.ASM	REAR GUARD MOUNT	1
8	510-006-006.ASM	REAR GUARD DOOR	1
9	510-005-000-002.PRT	NIP GUARD	2
10	301-4128.ASM	RAM 5030150	1
11	510-006-014.ASM	SIDE CONVEYOR RAM MOUNT	1
12	301-4125.ASM	30MM PILLOW BLOCK BEARING	2
13	301-4126.ASM	150MM DIA SPOKE DRUM	1

2.5 Collection Conveyor



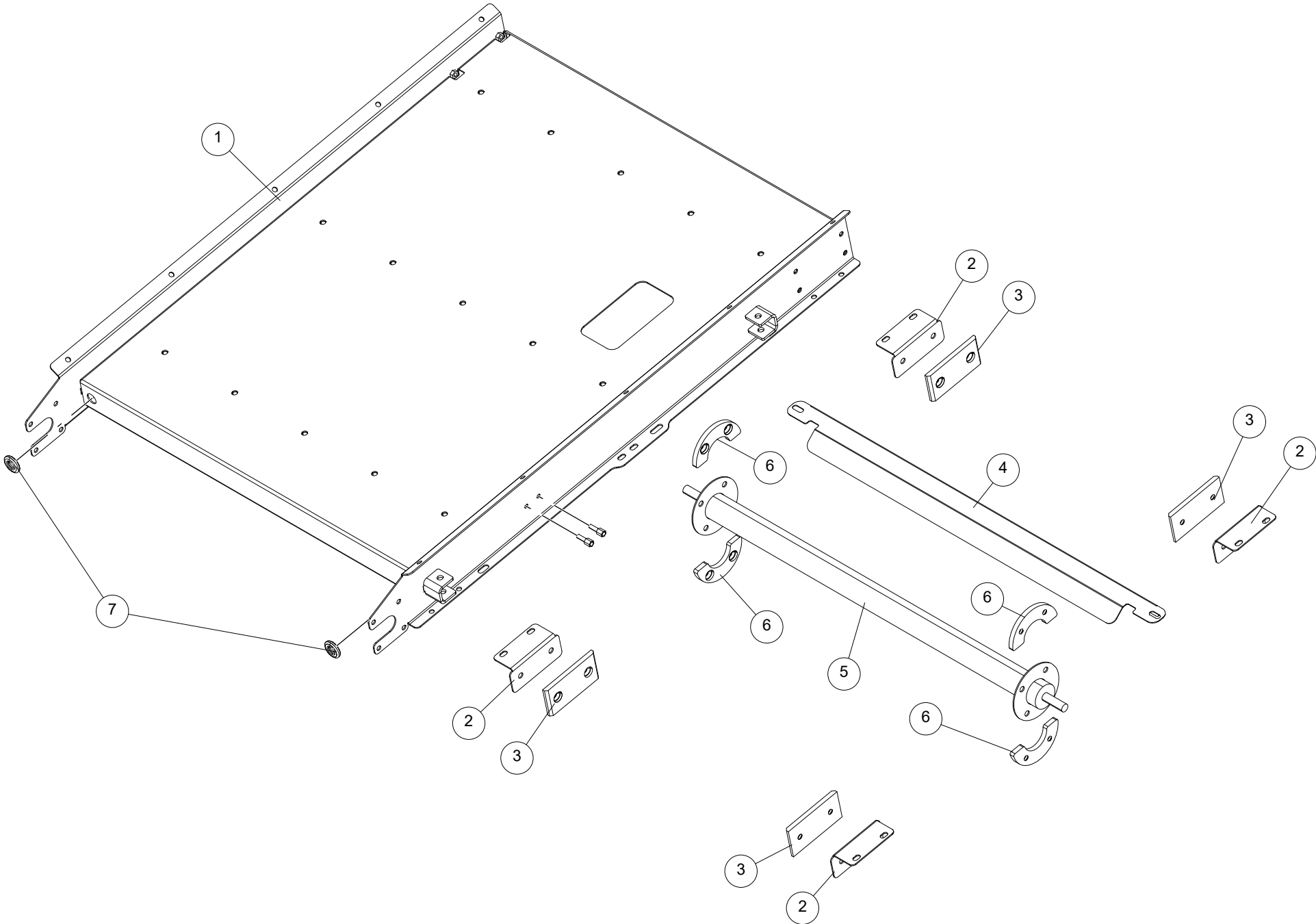
Intentionally Left Blank.

(1) Belt, Skirting Rubbers, Clamps, Idler & Drive Drum Assemblies



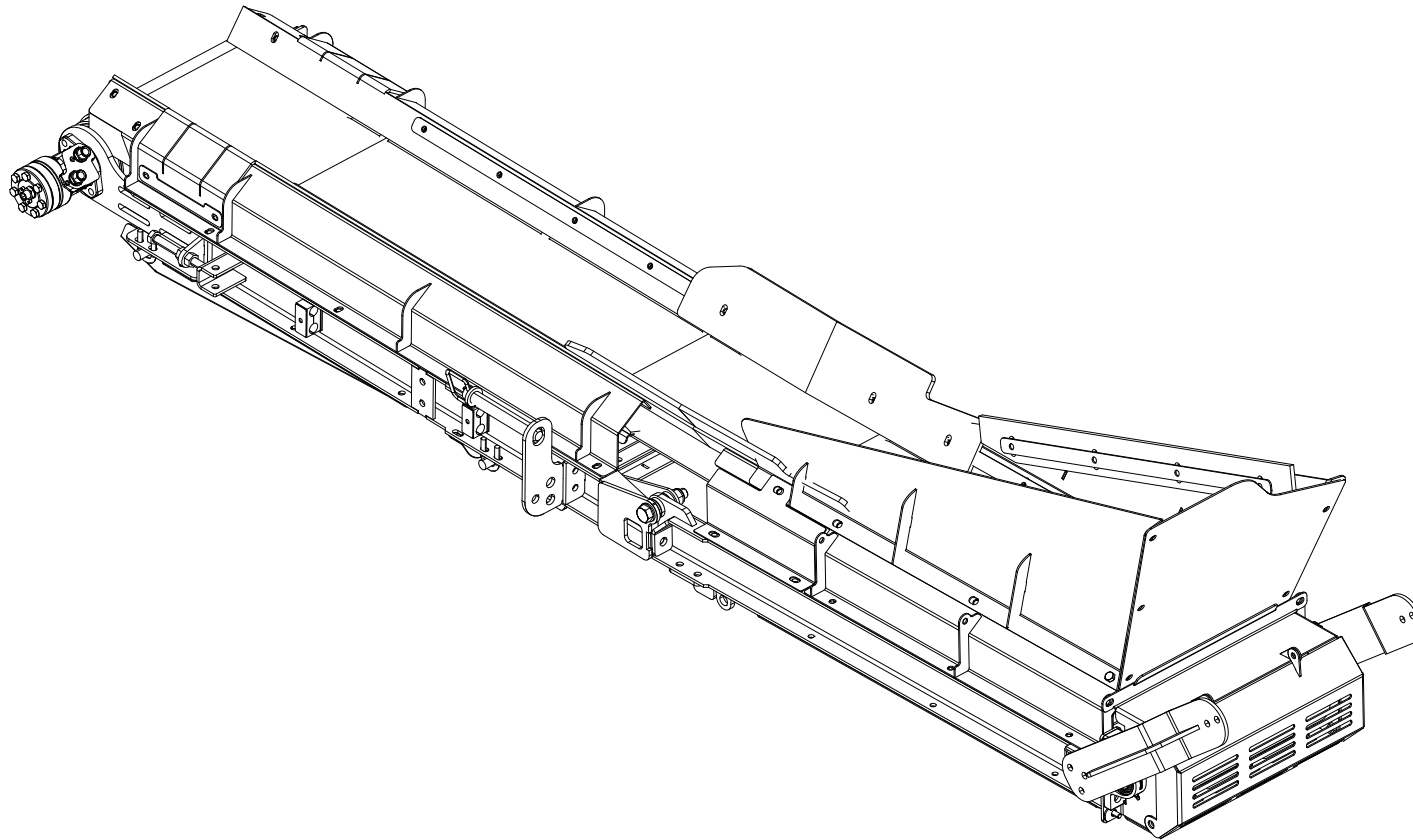
ITEM	PART NUMBER	DESCRIPTION	QTY
1	301-4157.PRT	20MM REGEN 1000 POLYETHYLENE SLIDER	5
2	301-4118.PRT	WP MOTOR - 25MM SHAFT - 2-BOLT SAE FLANGE - 1/2"BSP PORTS	1
3	510-007-004.ASM	COLLECTION HEAD BEARING ADJUSER	1
4	301-4117.ASM	160MM DIA 1060MM FACE DRIVE DRUM DRUM	1
5	510-007-005.ASM	COLLECTION HEAD BEARING MOUNT	1
6	301-4119.ASM	30MM FLANGE BEARING	3
7	510-007-000-002.PRT	6MM SKIRTING RUBBER	2
8	510-007-000-001.PRT	RUBBER CLAMP	2
9	301-4115.PRT	CONVEYOR BELT 1000mm WIDE EP250/2 3+1.5 - ENDLESS 3.76M	1
10	510-007-000-025.PRT	CS408 COLLECTION REAR DRUM GUARD	1
11	301-4116.ASM	150MM 1045MM FACE SPOKE DRUM	1
12	510-007-000-026.PRT	CS408 COLLECTION REAR DRUM GUARD	1
13	M16_PLAIN.PRT	M16 PLAIN NUT	2
14	M16X130.PRT	M16X130 BOLT8.8ZP	2

(2) Wear Pads, Conveyor Frame, Underside Roller



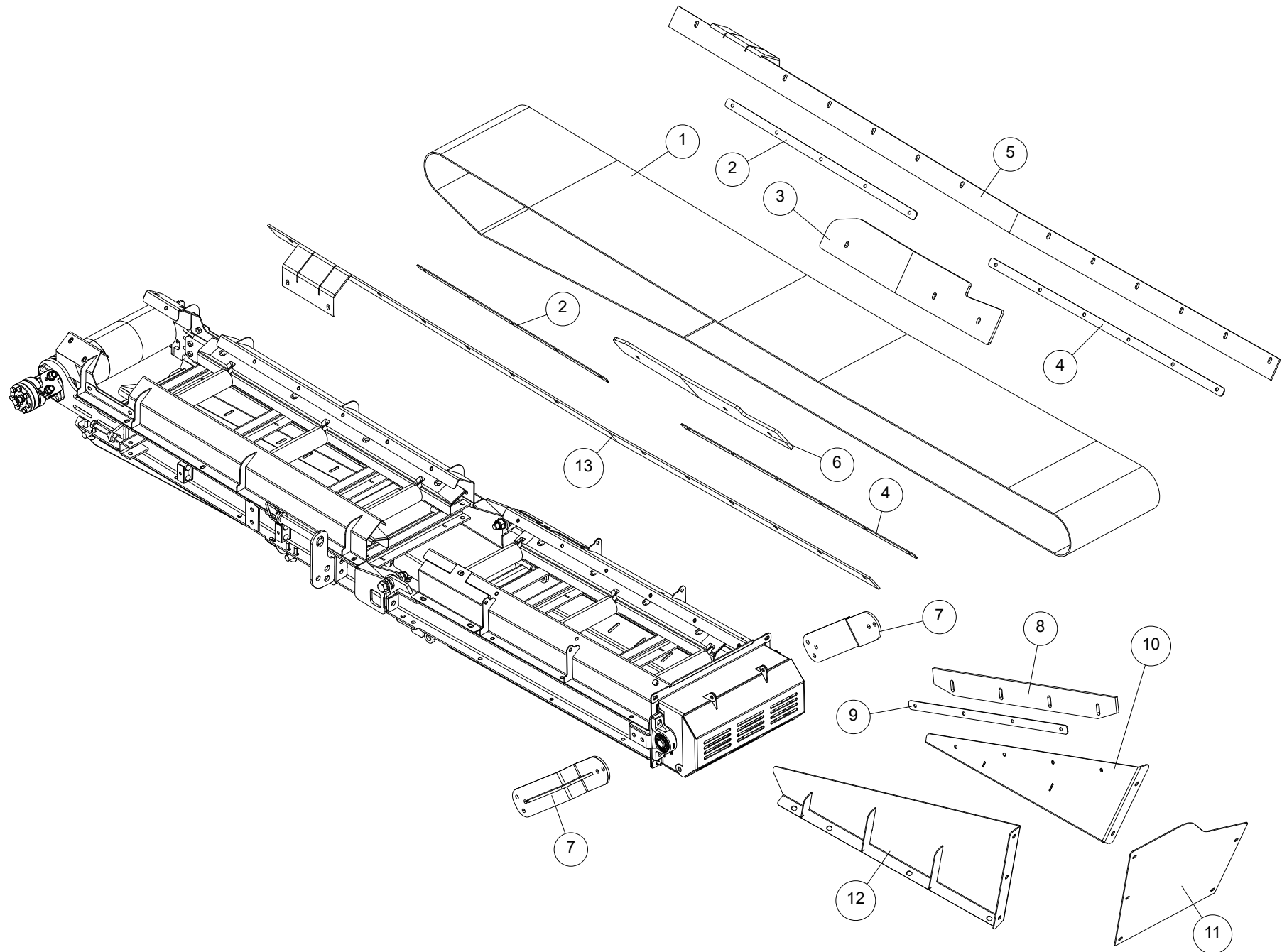
ITEM	PART NUMBER	DESCRIPTION	QTY
1	510-007-001.ASM	COLLECTION CONVEYOR FRAME	1
2	510-007-000-030.PRT	BELT GUIDE MOUNT	4
3	301-4206.PRT	WEAR PAD SIDE CONVEYOR 12mm PE1000 Green	4
4	510-007-000-004.PRT	DISC ROLLER GUARD	1
5	510-007-006.ASM	63MM DIA RETURN ROLLER W GUIDE PLATES	1
6	301-4207.PRT	63MM DIA ROLLER WEAR LINER 12MM PE1000	4
7	301-0997.PRT	RUBBER GROMMET 26-40MM	2

2.6 Fines Conveyor



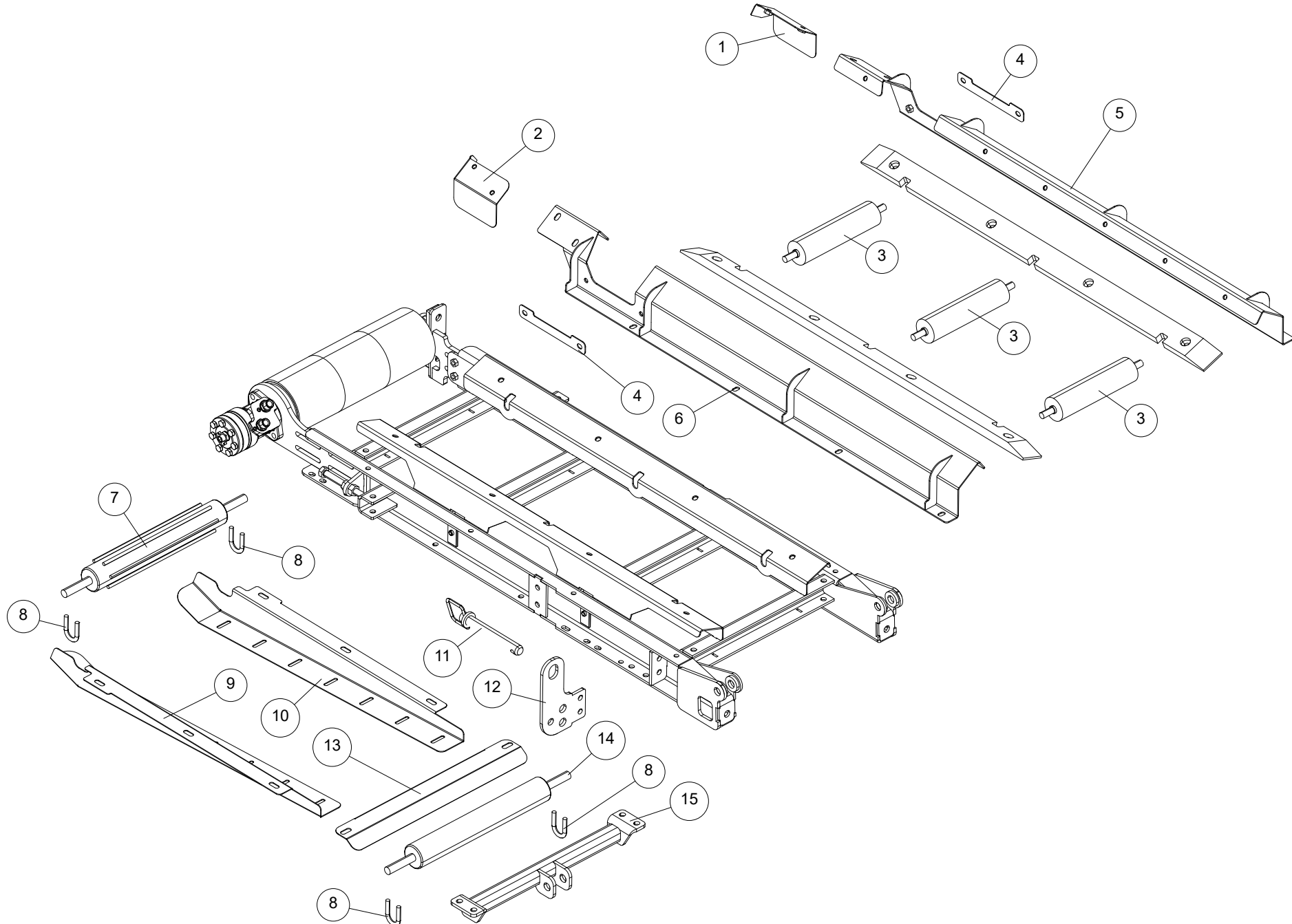
Intentionally Left Blank.

(1) Support Arms, Feedboot, Belt, Skirting Rubbers & Clamps



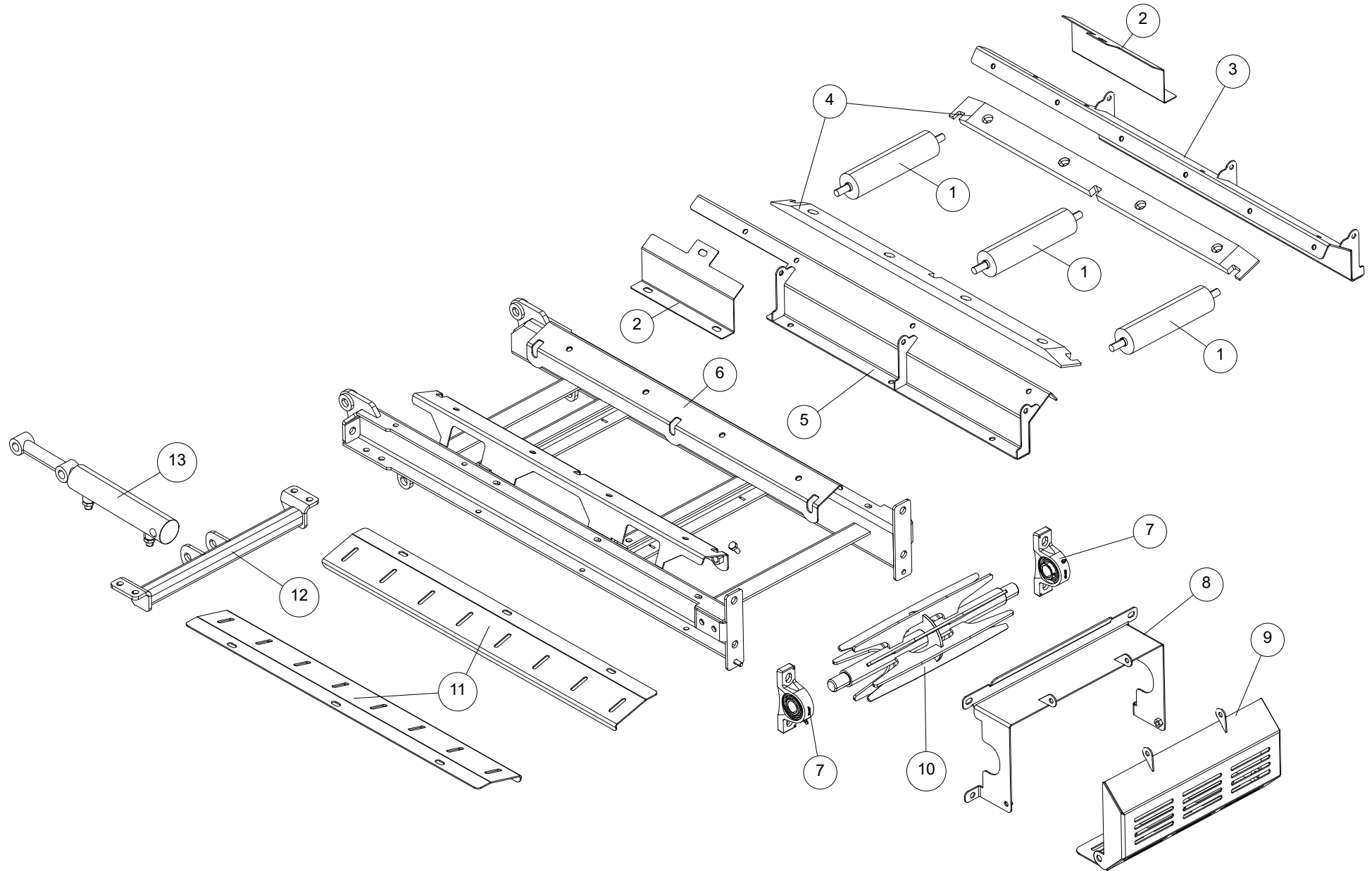
ITEM	PART NUMBER	DESCRIPTION	QTY
1	301-4134.PRT	BELT 400mm WIDE EP315/3 3+1.5 C/W 15mm X330mm 'V'CHEVRON ENDLESS 6310MM	1
2	510-005-000-005.PRT	LOWER SKIRT CLAMP	2
3	510-005-000-041.PRT	SIDE 6MM SKIRTING RUBBER 50 SHORE	1
4	510-005-000-004.PRT	LOWER SKIRT CLAMP	2
5	510-005-000-003.PRT	SIDE 6MM SKIRTING RUBBER 50 SHORE	1
6	510-005-000-040.PRT	SIDE 6MM SKIRTING RUBBER 50 SHORE	1
7	510-005-010.ASM	SIDE CONVEYOR MOUNT	2
8	301-4155.PRT	10MM POLY 865MM WIDE COLLECTION SCRAPER	1
9	510-005-000-006.PRT	LOWER SKIRT CLAMP	1
10	510-005-012.ASM	FINES FEEDBOOT SCRAPER	1
11	510-005-011-001.PRT	FINES REAR FEEDBOOT	1
12	510-005-013.ASM	FINES FEEDBOOT	1
13	510-005-000-001.PRT	SIDE 6MM SKIRTING RUBBER 50 SHORE	1

(2) Upper Section Assembly

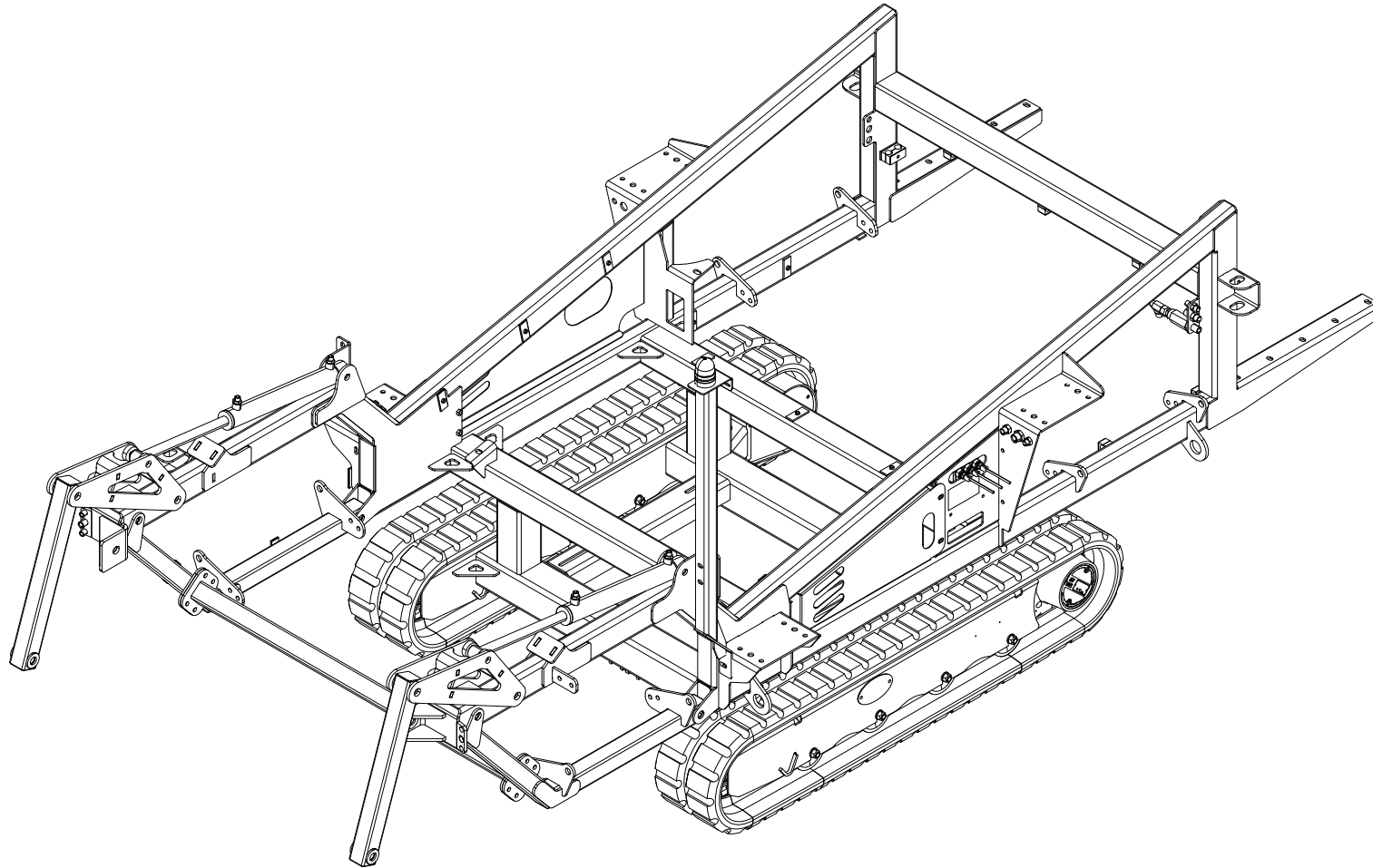


ITEM	PART NUMBER	DESCRIPTION	QTY
1	510-005-016.ASM	SIDE HEAD DRUM NIP GUARD	1
2	510-005-017.ASM	SIDE HEAD DRUM NIP GUARD	1
3	301-4121.PRT	CENTRE ROLLER 63MM DIA X 250MM FACE 20MM SPINDLE M16 THREAD	3
4	510-005-000-037.PRT	RUBBER NIP GUARD CLAMP	2
5	510-005-007.ASM	SIDE CONV LOWER SKIRT	1
6	510-005-008.ASM	SIDE CONV LOWER SKIRT	1
7	301-4143	L600 430FACE 63DIA BEATER ROLLER	1
8	301-2010.PRT	M10 U-BOLT	4
9	510-005-000-010.PRT	BEATER ROLLER GUARD LH	1
10	510-005-000-008.PRT	BEATER ROLLER GUARD	1
11	301-0959.PRT	GEN FIT PIN G4099 1"x155mm PIN CHAIN AND CLIP	1
12	510-006-013-001.PRT	MIDS CONVEYOR TIE	1
13	510-005-000-009.PRT	26" DISC ROLLER GUARD	1
14	301-4144.PRT	L600 430FACE 63DIA RETURN ROLLER	1
15	510-006-015.ASM	SIDE CONVEYOR RAM MOUNT	1

(3) Lower Section Assembly

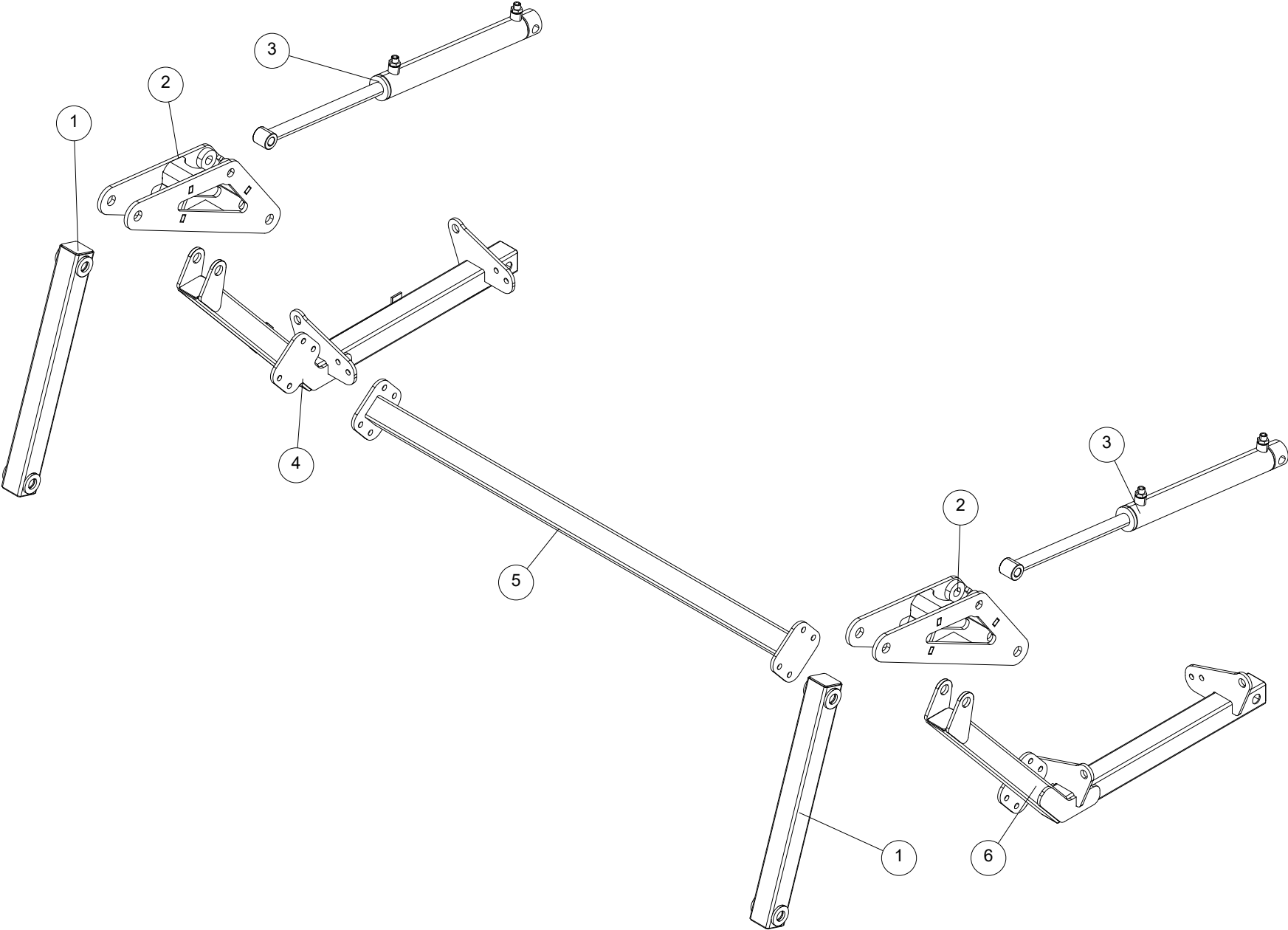


ITEM	PART NUMBER	DESCRIPTION	QTY
1	301-4121.PRT	CENTRE ROLLER 63MM DIA X 250MM FACE 20MM SPINDLE M16 THREAD	3
2	510-005-000-015.PRT	SIDE SKIRT MOUNT	2
3	510-005-009.ASM	SIDE CONV LOWER SKIRT	1
4	301-4150.PRT	950MM LONG 20MM REGEN 1000 POLYETHYLENE SLIDER	2
5	510-005-002.ASM	SIDE CONV LOWER SKIRT	1
6	510-006-001.ASM	SIDE LOWER SECTION	1
7	301-4125.ASM	30MM PILLOW BLOCK BEARING	2
8	510-006-005.ASM	REAR GUARD MOUNT	1
9	510-006-006.ASM	REAR GUARD DOOR	1
10	301-4126.ASM	150MM DIA SPOKE DRUM	1
11	510-005-000-002.PRT	NIP GUARD	2
12	510-006-014.ASM	SIDE CONVEYOR RAM MOUNT	1
13	301-4128.ASM	RAM 5030150	1



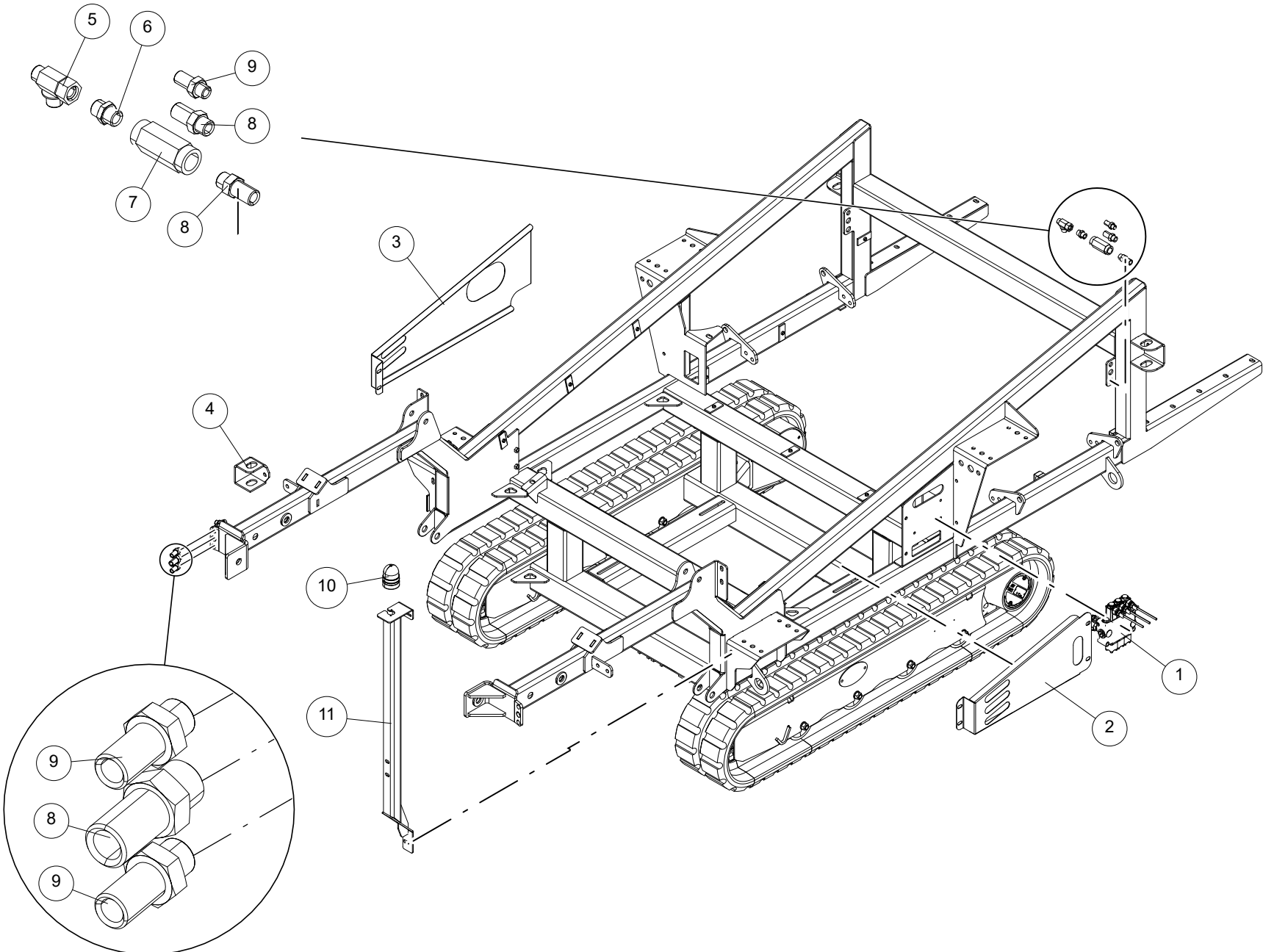
Intentionally Left Blank.

(1) Hydraulic Cylinders & Linkage



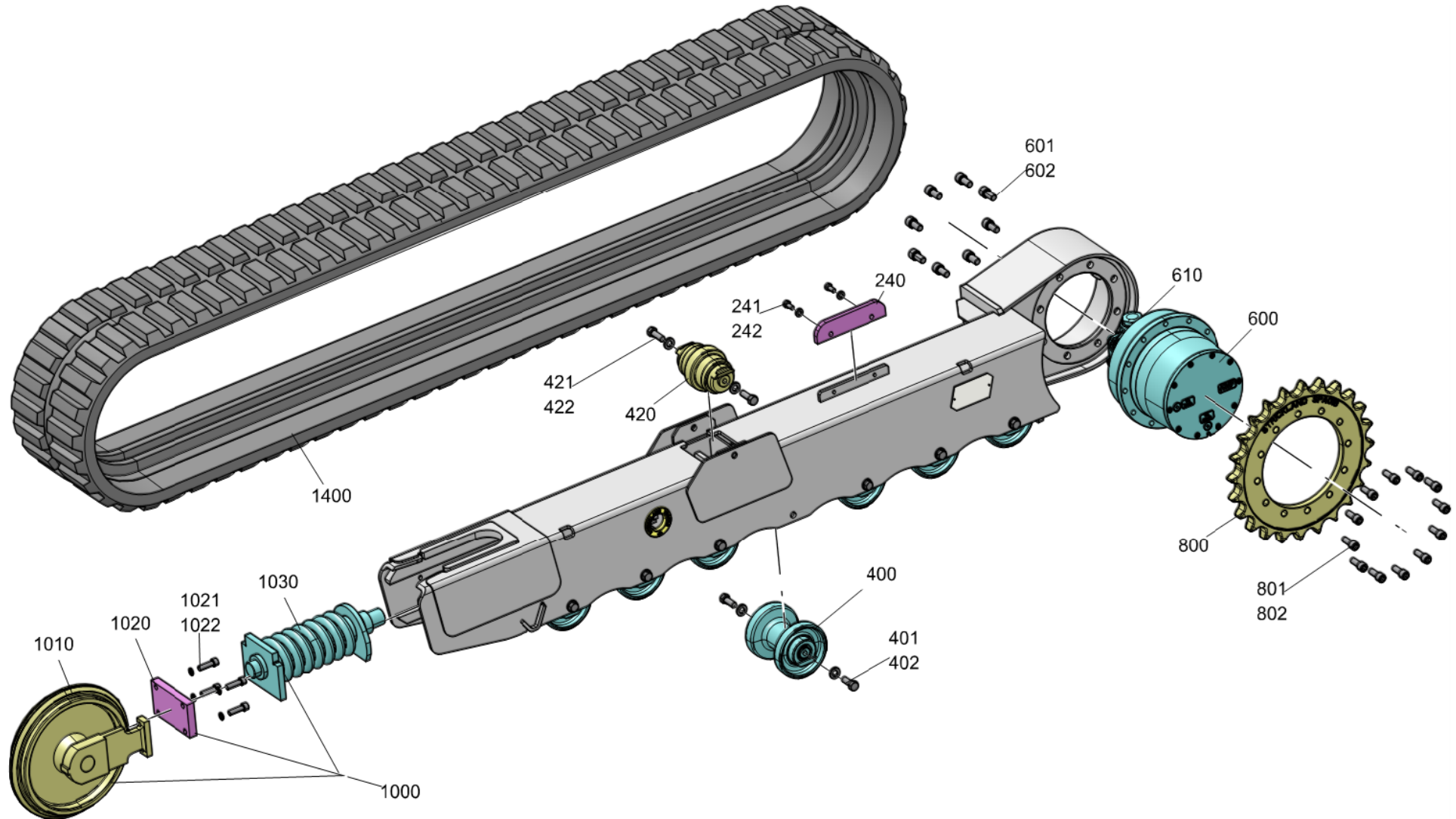
ITEM	PART NUMBER	DESCRIPTION	QTY
1	510-001-002.ASM	TAIL FOLD ARM	2
2	510-001-015.ASM	TAIL LINKAGE	2
3	301-4163.ASM	D/A RAM - 30/50/350 - 510C/C	2
4	510-001-004.ASM	MIDS CONVEYOR SUPPORT	1
5	510-001-006.ASM	CHASSIS SUPPORT TIE	1
6	510-001-005.ASM	MIDS CONVEYOR SUPPORT	1

(2) Beacon Tower, Control Levers

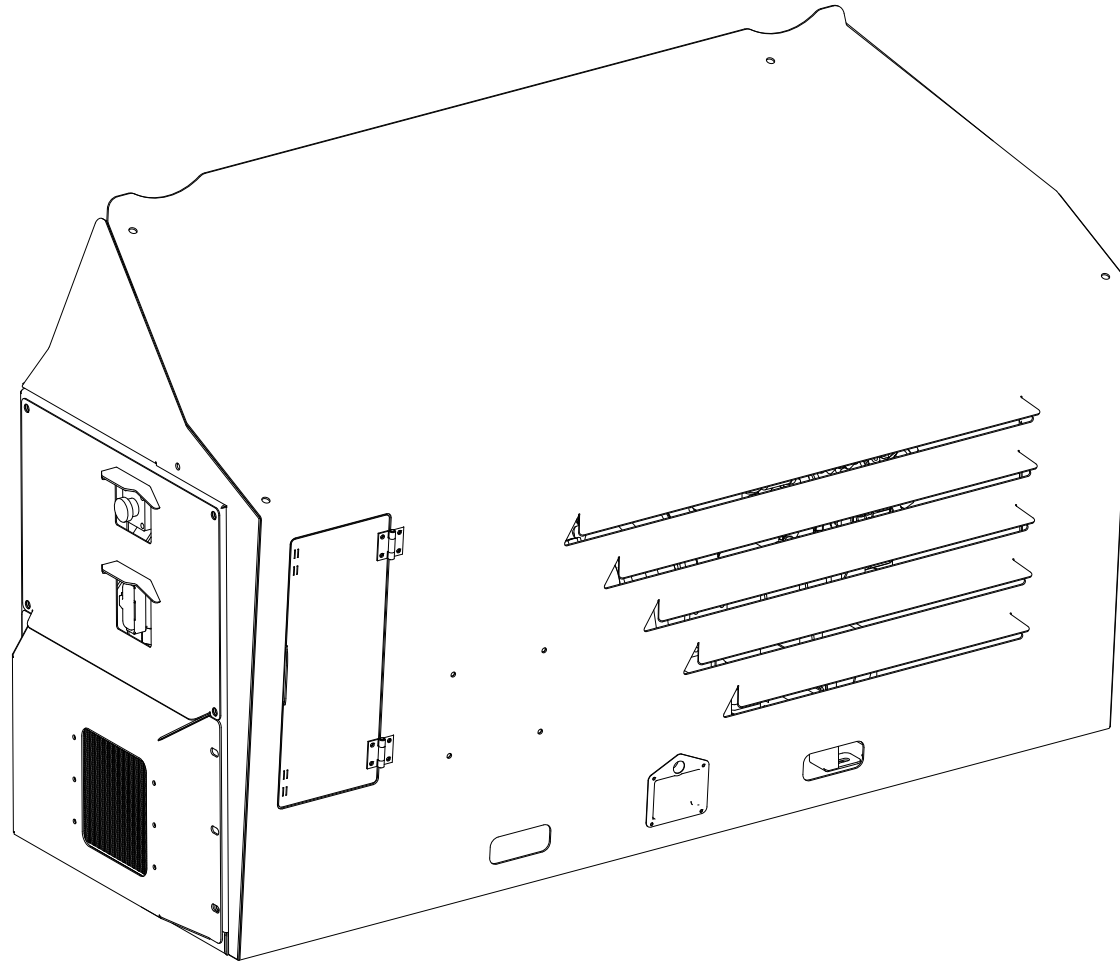


ITEM	PART NUMBER	DESCRIPTION	QTY
1	301-1687.PRT	CV113 CONTROL VALVE (HC-M45/3) - REF 96770	1
2	510-001-011.ASM	CHASSIS COLLECTION GUARD	1
3	510-001-010.ASM	CHASSIS COLLECTION GUARD	1
4	510-001-007.ASM	MIDS CONVEYOR TRANSPORT CUP	1
5	301-3837.PRT	1/2" TEE M/F/M	1
6	301-3380.PRT	BSP1/2" X 1/2" M/M P/P ADAPTOR	1
7	301-4212.PRT	5PSI CHECKVALVE 1/2"	1
8	ADAPTOR_BULKHEAD_1-2	BULKHEAD ADAPTOR 1/2"	3
9	ADAPTOR_BULKHEAD_3-8	BULKHEAD ADAPTOR 3/8"	3
10	US50601236.PRT	HYDRASTORE-BEACON FOR CS408	1
11	510-001-008.ASM	CS408 BEACON TOWER	1

(3) Crawler Tracks

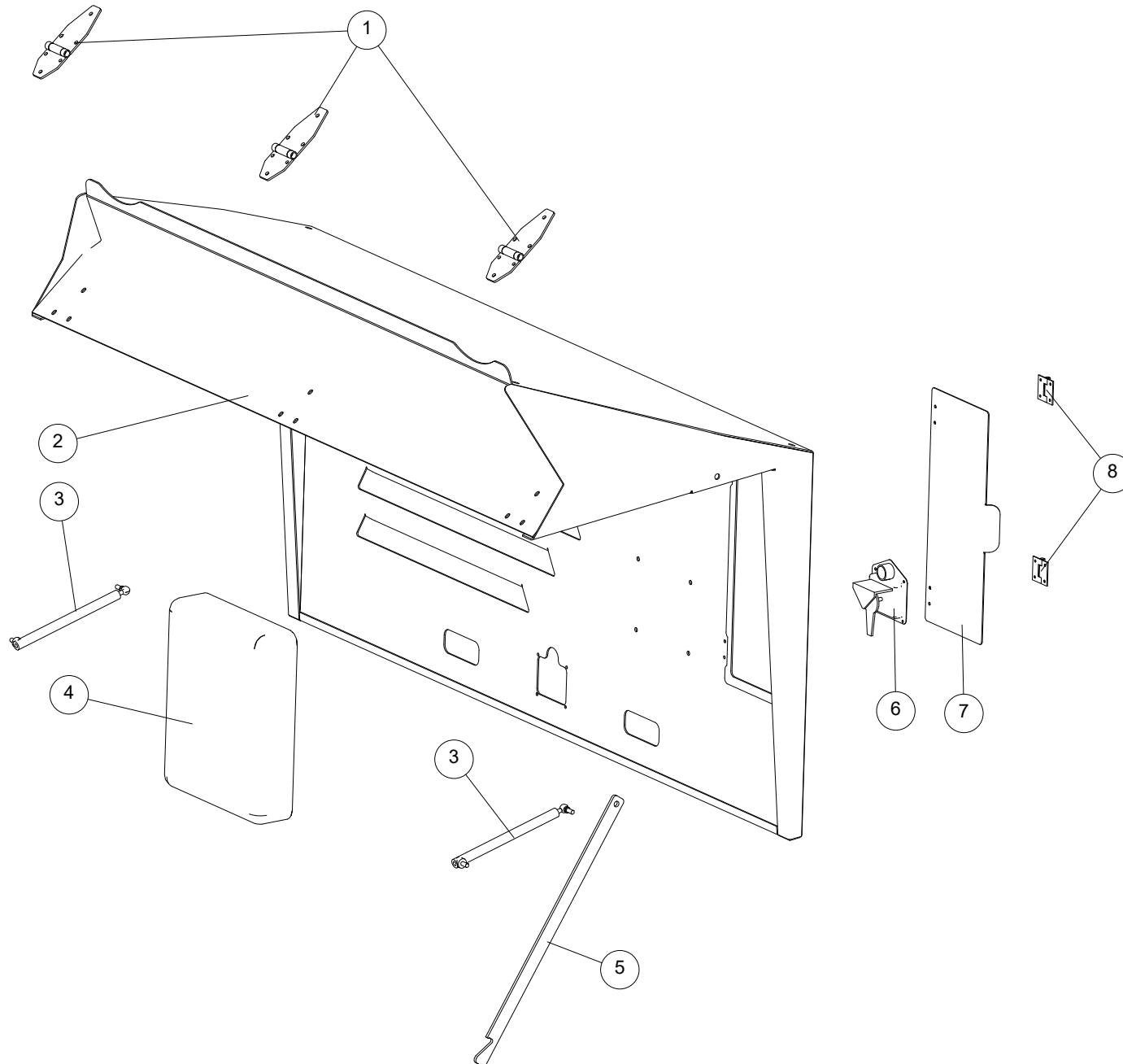


ITEM	PART NUMBER	DESCRIPTION	QTY TRACK	QTY PAIR
238	301-4106-01	Hex Head Bolt (Tensioner Pad to Frame) Torque to: 50Nm (35 lbs/ft)	1	2
239	301-4106-02	Spring Washer: 010, Self Colour	1	2
400	301-4106-03	Dumbell Lower Roller, Metal	4	8
402	301-4106-04	Flat Washer: M16, Zinc Plated	8	16
403	301-4106-05	Nyloc Nut M16 X 2 X 14MM, Grade 8.8, Zinc Plated	8	16
600	301-4106-06	Gearbox	1	2
601	301-4106-07	Socket Head Capscrew (Drive to Frame) Torque to: 85Nm (65 lbs/ft)	9	18
800	301-4106-08	Sprocket	1	2
801	301-4106-09	Low Profile Socket Head Capscrew (Sprocket to Drive) Torque to: 85Nm (65 lbs/ft)	9	18
1000	301-4106-10	Idler Recoil Tensioner Assembly	1	2
1400	301-4106-11	Rubber Track Belt	1	2



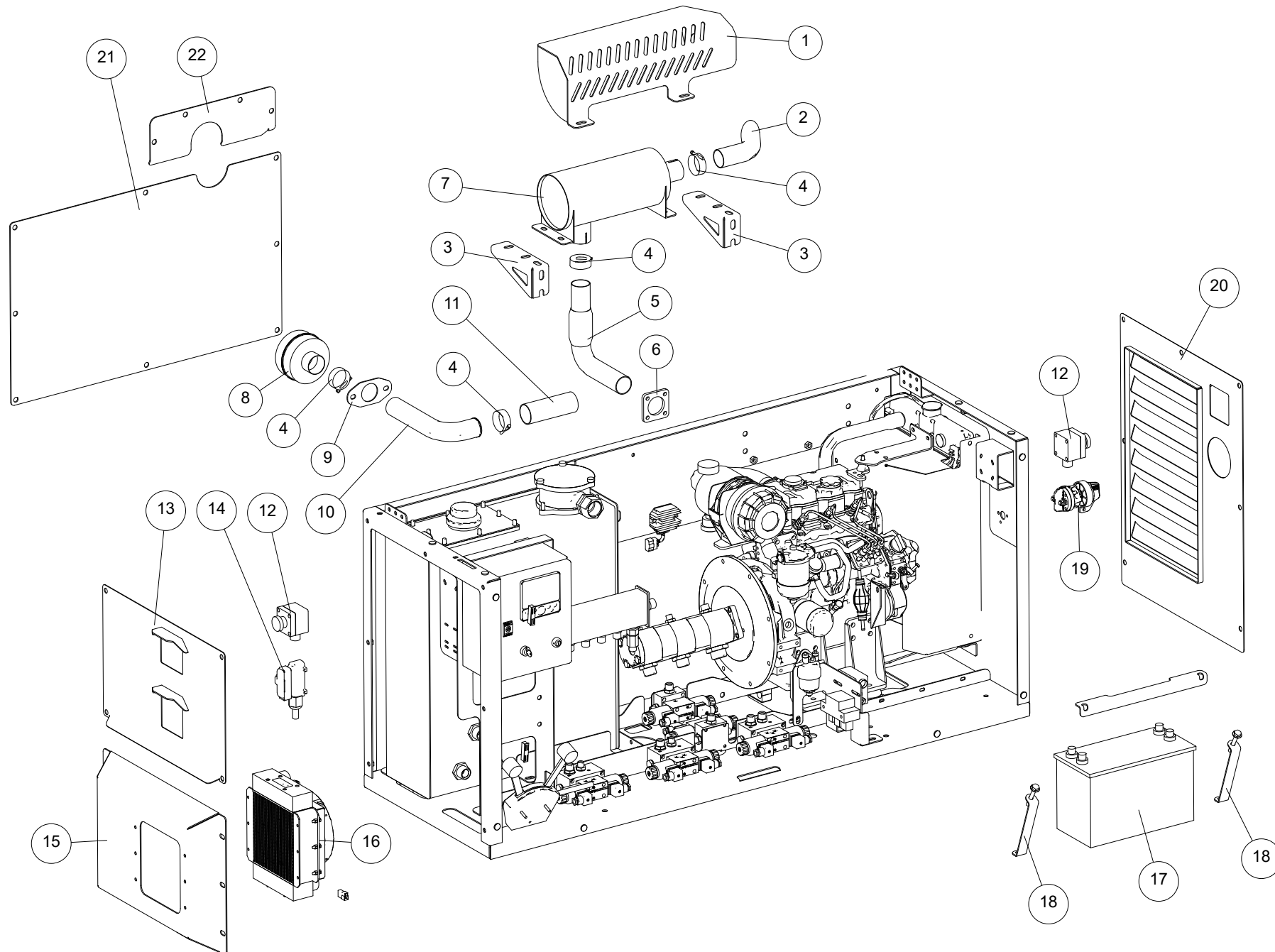
Intentionally Left Blank.

(1) Canopy Lid Assembly



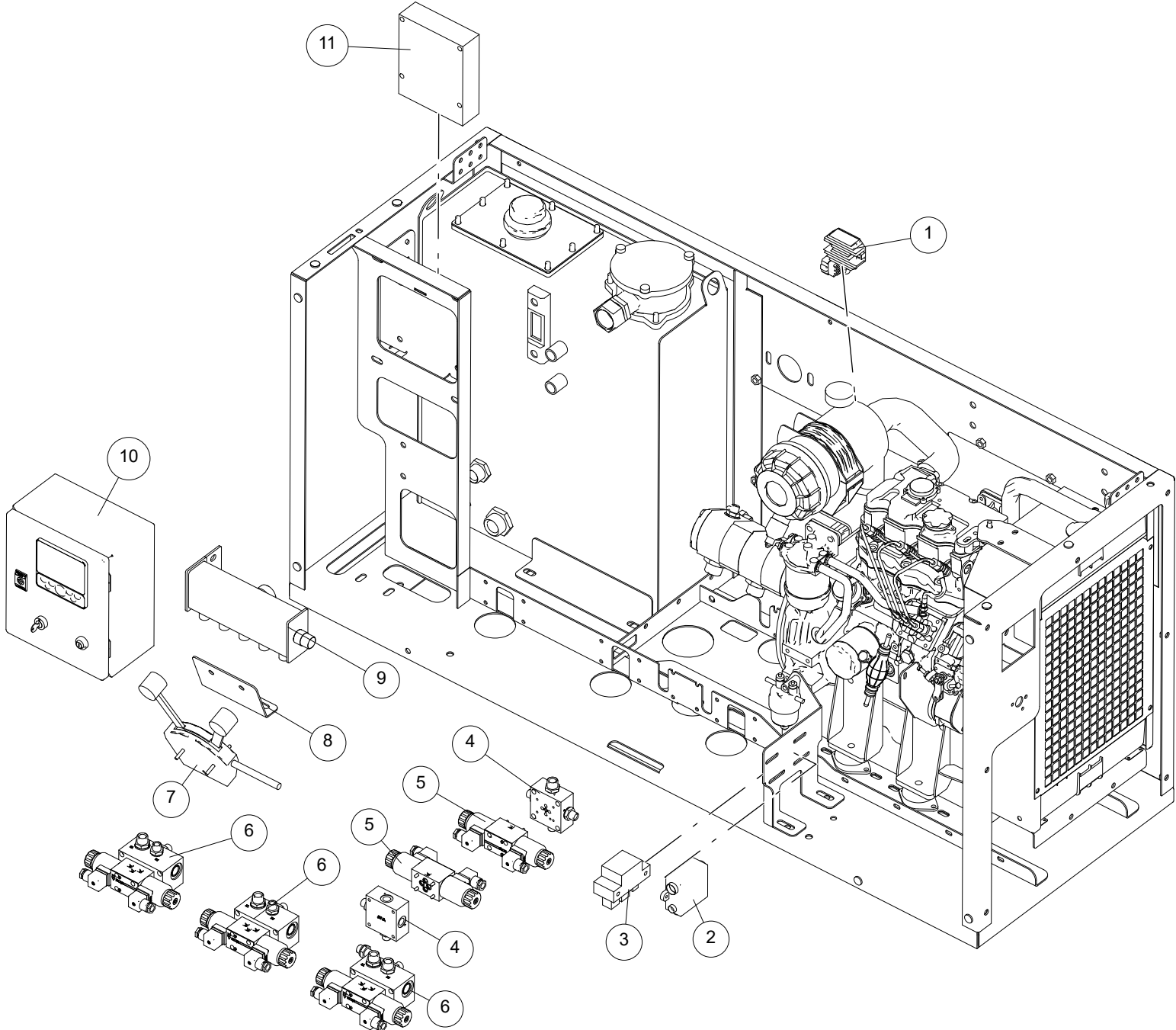
ITEM	PART NUMBER	DESCRIPTION	QTY
1	301-1521.ASM	6 HOLE HINGE	3
2	510-002-027.ASM	CS408 POWERUNIT CANOPY	1
3	301-4201.ASM	1282/2001 Gas Strut 1300N (130KG) (C/W) X2 1252/54 30mm Elbow Joints	2
4	301-1702.PRT	PLASTIC - MANUAL PAK (115-000-532)	1
5	510-002-034.PRT	C12 RHS ACCESS HATCH DOOR	1
6	301-0379.PRT	POWERUNIT HANDLE	1
7	510-002-031.PRT	C12 RHS ACCESS HATCH DOOR	1
8	301-3844.PRT	HINGE 4 HOLE 0486-5213862	2

(2) Covers, Electrical Components, Air Pre-Cleaner, Exhaust System



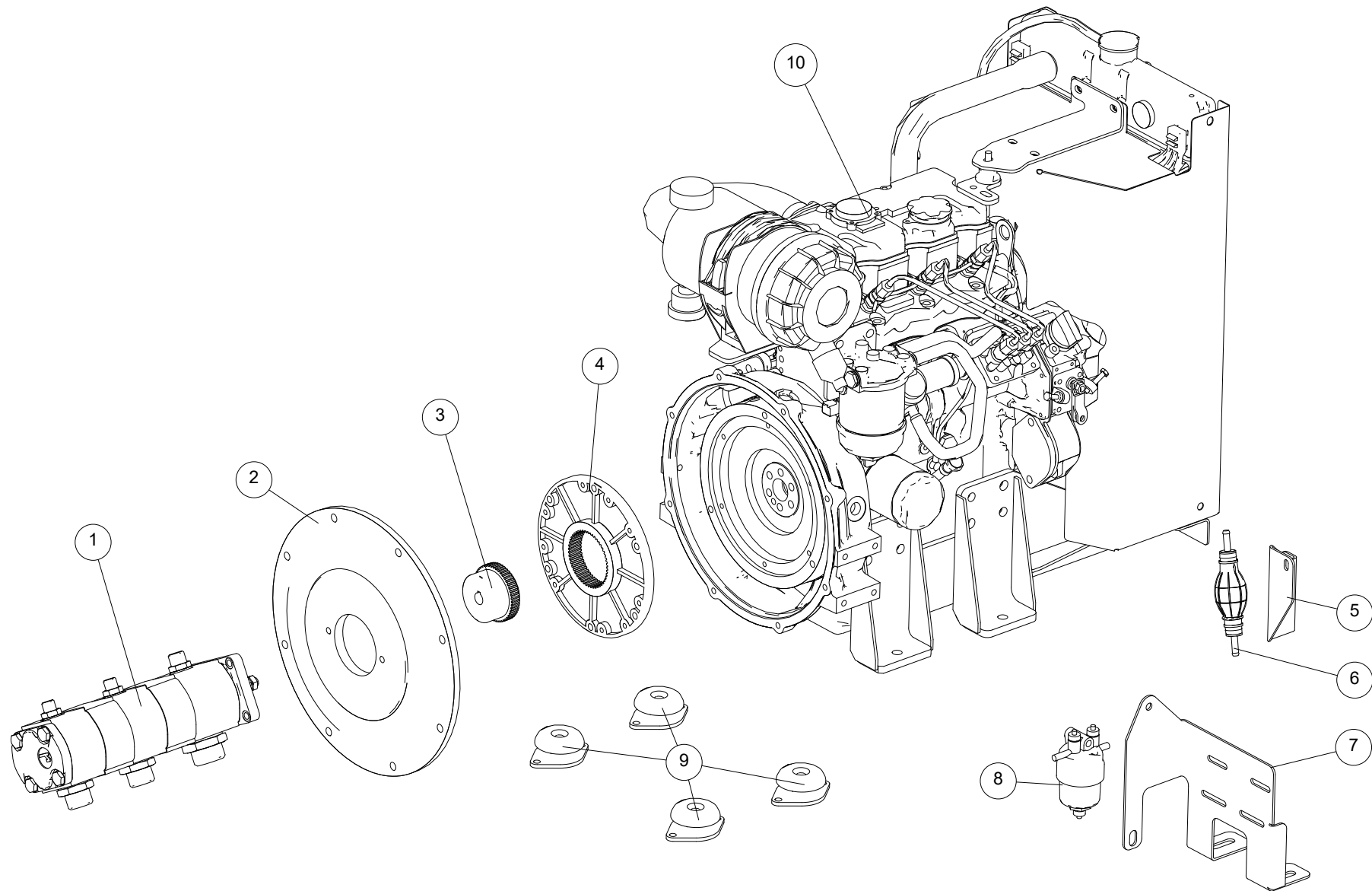
ITEM	PART NUMBER	DESCRIPTION	QTY
1	510-002-040.ASM	CS408 - EXHAUST GUARD	1
2	301-4174.PRT	CS408 C1.1 EXHAUST OUTLET	1
3	510-002-028.ASM	CS408 POWERUNIT EXHAUST MOUNT	2
4	301-1006.PRT	EXHAUST CLAMP 51-55mm	4
5	301-4156-001.PRT	C1.1 EXHAUST PIPE WITH FLEXI	1
6	301-4156-002.PRT	C1.1 ENGINE MOUNT - 10MM PLATE	1
7	301-0012.PRT	2.2 CAT EXHAUST SILENCER BOX	1
8	301-4183.PRT	DONALDSON H002434 PRE CLEANER	1
9	301-4184-02.PRT	PRE CLEANER MOUNT	1
10	301-4184-01.PRT	PRE CLEANER PIPE	1
11	301-4205.PRT	AIR INTAKE PIPE CUT FROM RHHWD51-5Blk EPDM	1
12	301-0597.PRT	E-STOP/COMPLETE WITH WIRECONNECTOR	2
13	510-002-042.ASM	CS408 POWERUNIT SIDE GUARD	1
14	301-1005.PRT	TRACK PLUG C/W PANE/LOOM	1
15	510-002-041.ASM	COOLER MOUNT	1
16	301-4288.PRT	BECOOOL COOLER BEC721 12V	1
17	301-0970.PRT	YBX3642 115Ah 1000A Super Heavy Duty Battery (JCB & CAT 4.4)	1
18	510-002-026.ASM	BATTERY STRAP	2
19	301-4142-001.PRT	ISOLATOR	1
20	510-002-006.ASM	CS408 RADIATOR DOOR	1
21	510-002-030-001.PRT	CS408 ENGINE COVER	1
22	510-002-035-001.PRT	ALT AND START GUARD	1

(3) Control Panel, Hydraulic Manifold, Directional Valves, Electrical Components



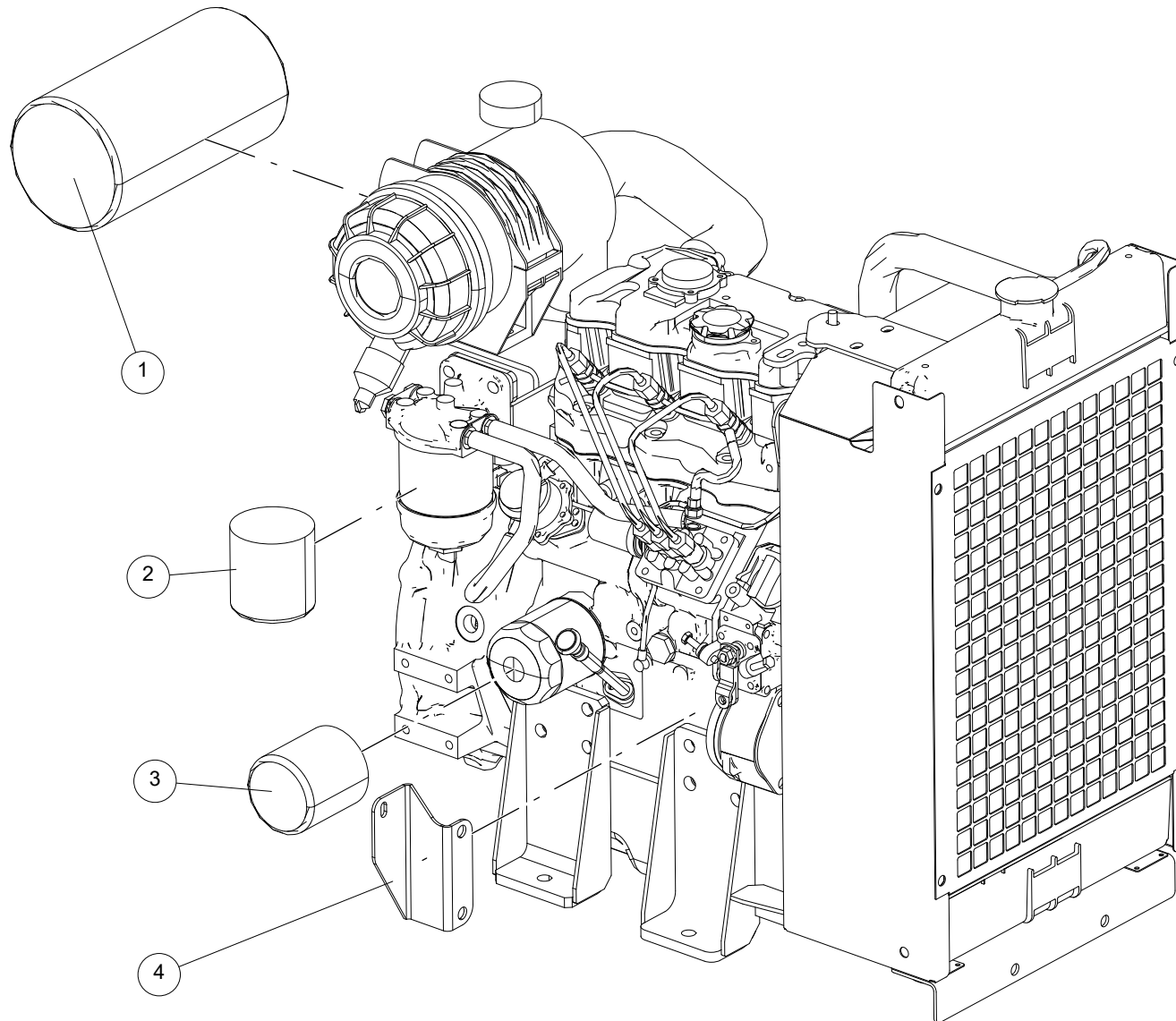
ITEM	PART NUMBER	DESCRIPTION	QTY
1	301-4139-001.PRT	ALTERNATOR REGULATOR	1
2	FUSE-BOX.PRT	MEGA MIDI FUSEBOX	1
3	TE_RELAY.PRT	MC50 CONTROLLER	1
4	301-4148-001.PRT	HYDRAULIC BLOCK	2
5	301-4148.PRT	CETOP 3 2 DIRECTIONAL VALVE	2
6	301-4136.PRT	CETOP 3 2 DIRECTIONAL VALVE WITH BUILT IN RELIEF	3
7	301-0732.PRT	DF CAT/JCB THROTTLE (FIXED SPEED)	1
8	510-002-029-001.PRT	CS408 HAND THROTTLE BRACKET	1
9	510-002-008.ASM	MANIFOLD	1
10	301-4179-01.PRT	JMG CONTROL PANEL	1
11	MC50-CONTROLLER.PRT	MC50 CONTROLLER	1

(4) Engine, Drive System, Engine Mounts, Water Serator, Manual Fuel Priming Pump



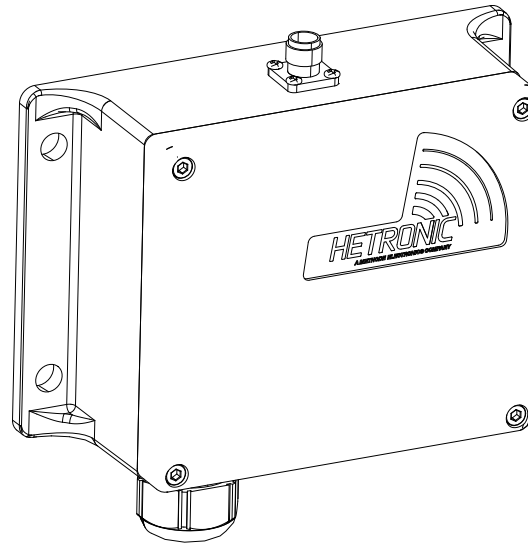
ITEM	PART NUMBER	DESCRIPTION	QTY
1	301-4137.PRT	TRIPLE PUMP 14.5/8/8CC	1
2	301-4138.PRT	BELLOUSING PUMP MOUNTING PLATE	1
3	301-4170.PRT	FLYWHEEL TO PUMP COUPLING	1
4	301-4215.PRT	FLYWHEEL ADAPTOR SAE 6.5" FLYWHEEL ADAPTOR	1
5	510-002-001-032.PRT	THROTTLE SEPERATOR	1
6	301-4139-002.PRT	INCLINE MANUAL DIESEL PRIMER PUMP	1
7	510-002-009-001.PRT	CS408 FUEL FILTER BRACKET	1
8	301-3470-2.PRT	CAT C1.7 PRIMARY FUEL FILTER AND WATER SEP	1
9	301-2263.PRT	CAT 2.2 ENGINE MOUNT FOOT	4
10	301-4393.PRT	CAT 1.1 17.8kw @2800rpm (ENGINE NO. 6652501)	1

(5) Filters



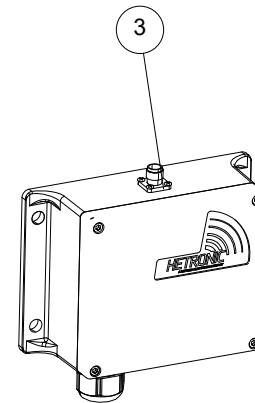
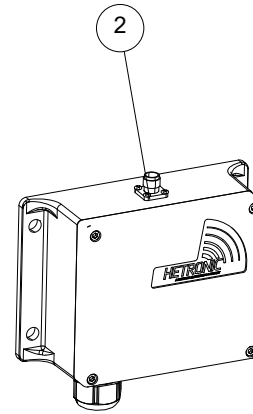
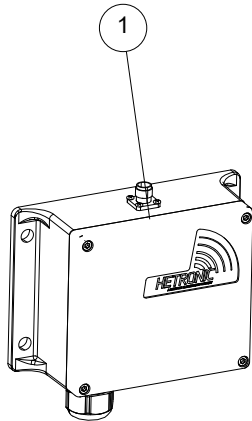
ITEM	PART NUMBER	DESCRIPTION	QTY
1	301-4393-03.PRT	C1.1 AIR FILTER ELEMENT	1
2	301-4393-02.PRT	C1.1 FUEL FILTER ELEMENT	1
3	301-4393-01.PRT	C1.1 OIL FILTER	1
4	510-002-001-032.PRT	THROTTLE SEPERATOR	1

2.9 Optional Radio Remote



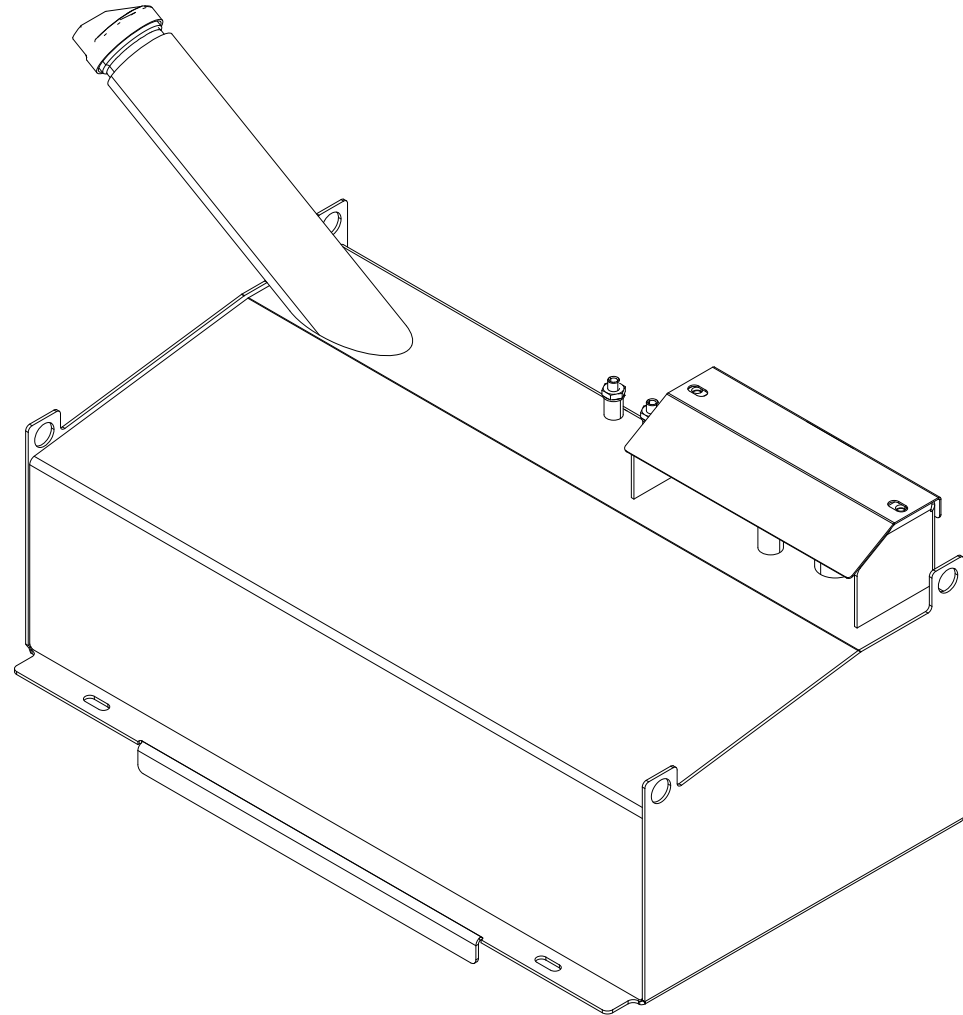
Intentionally Left Blank.

(1) Radio Remote Type



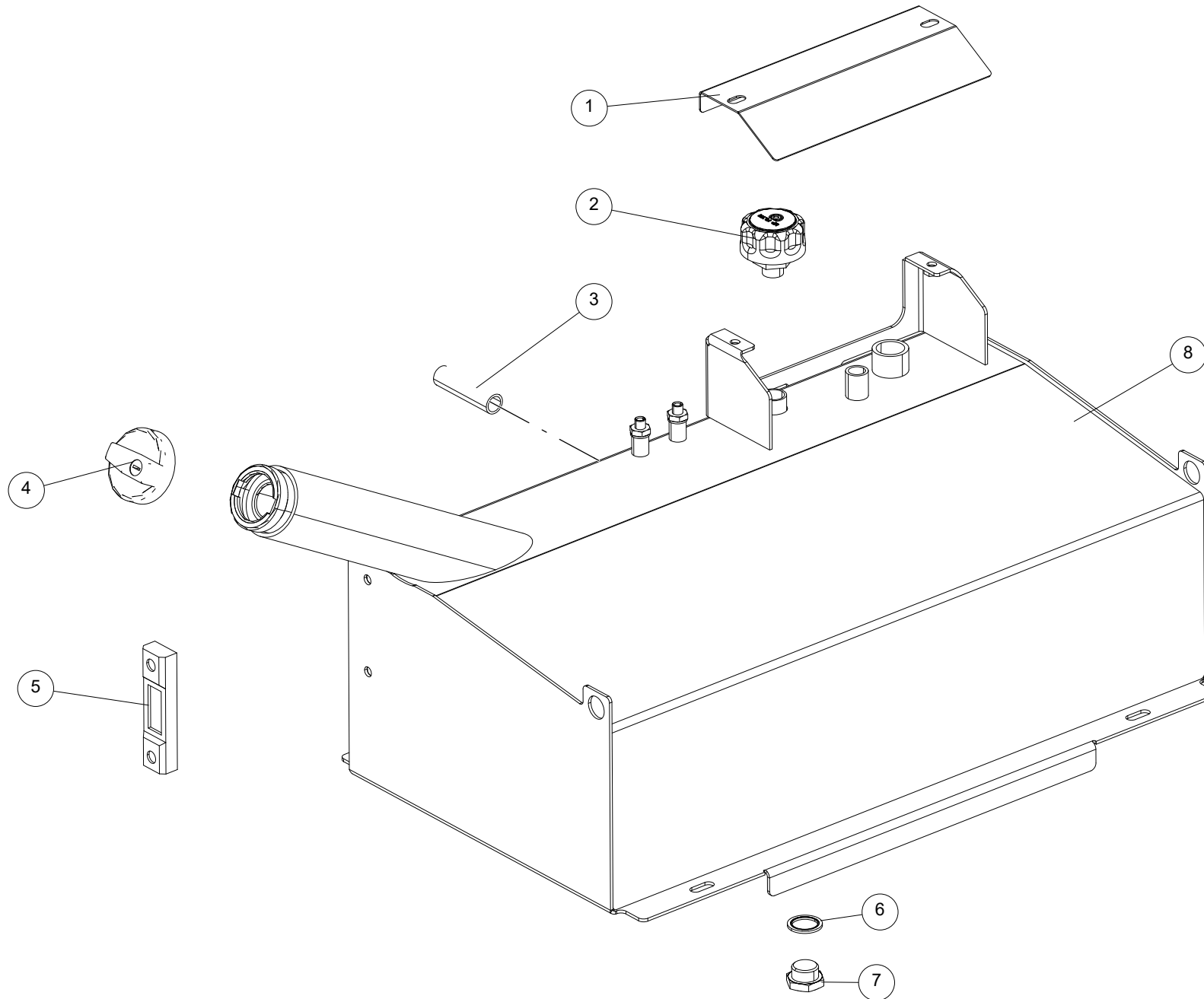
ITEM	PART NUMBER	DESCRIPTION	QTY
1	301-4178.PRT	CS408 HETRONIC REMOTE EU FREQUENCY	1
2	301-4177.PRT	CS408 HETRONIC REMOTE ROW FREQUENCY	1
3	301-4173.PRT	CS408 HETRONIC REMOTE US FREQUENCY	1

2.10 Fuel Tank



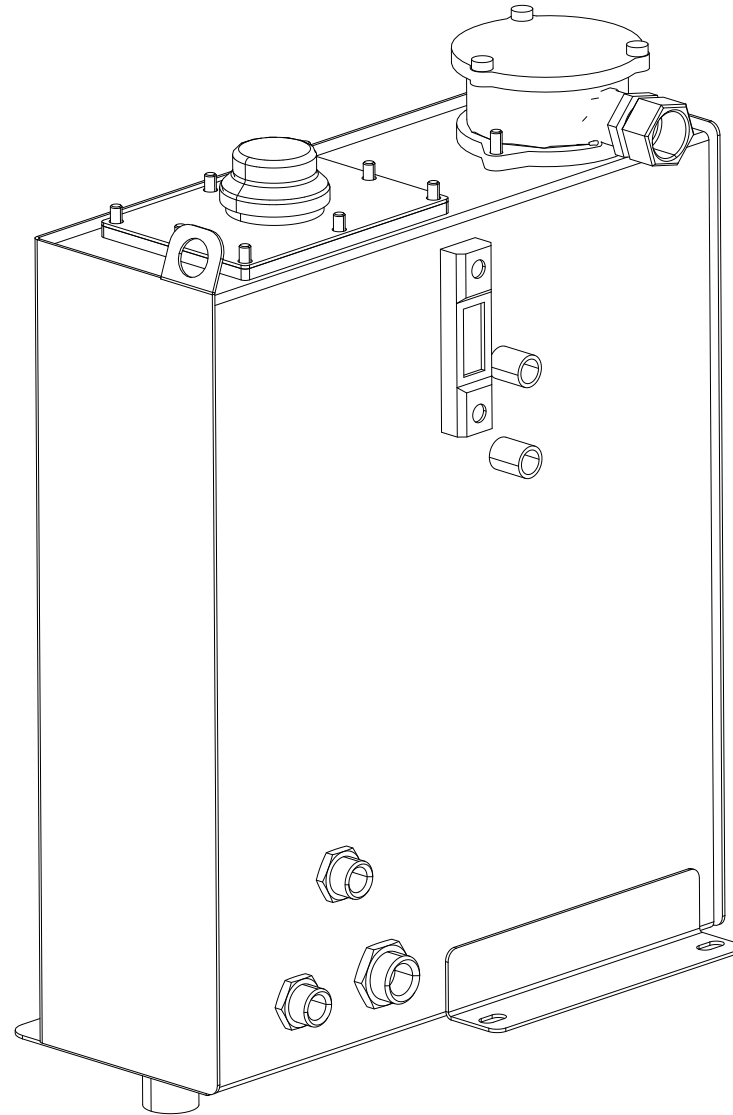
Intentionally Left Blank.

(1) Fuel Tank Components



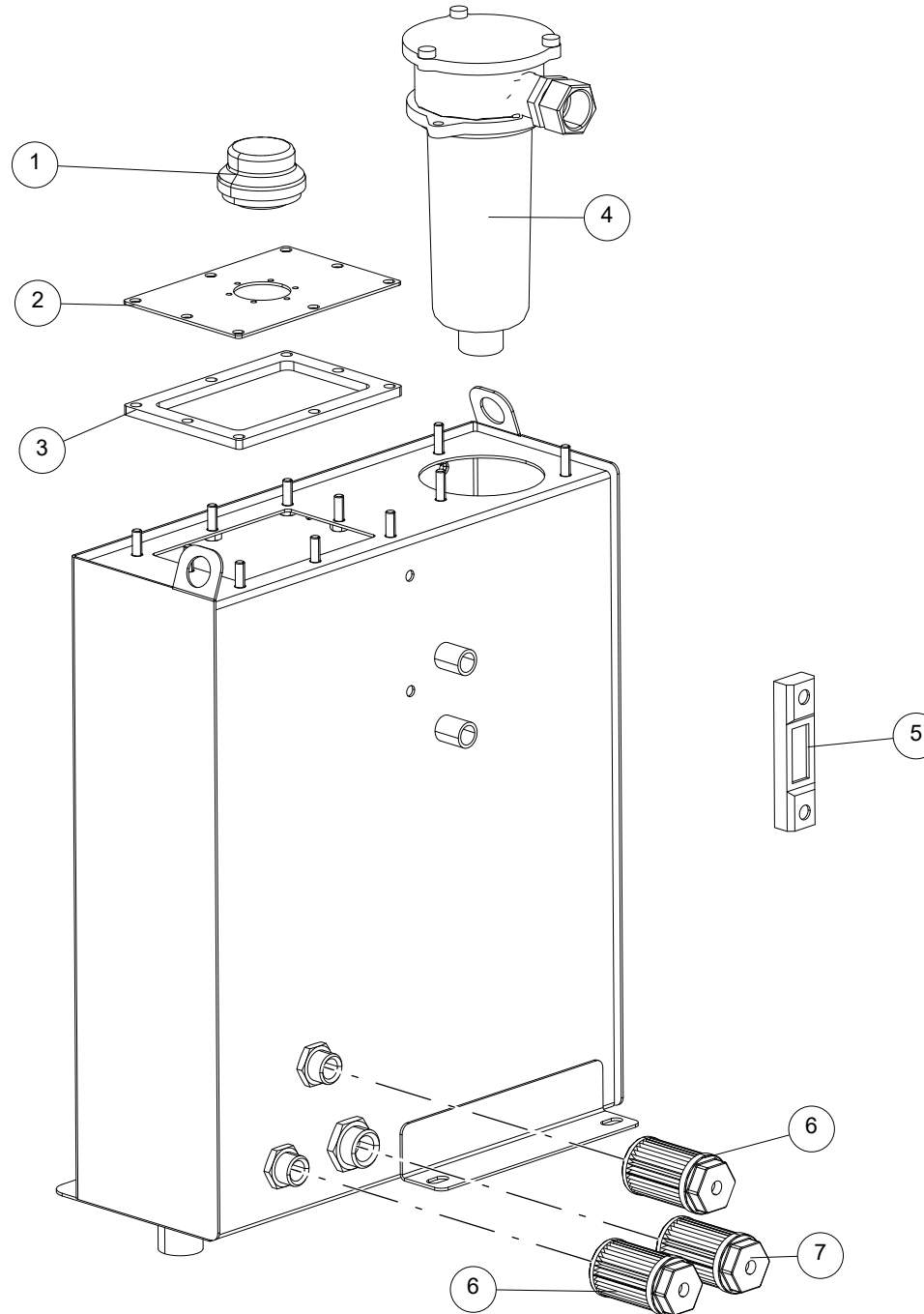
ITEM	PART NUMBER	DESCRIPTION	QTY
1	510-002-011-001.PRT	FUEL BREATHER PROTECTOR	1
2	301-3597.PRT	MP FILTRI TA80G100 TANK BREATHER	1
3	301-4204.PRT	CS408 CAT 1.1 FUEL LINE KIT	1
4	301-0140.PRT	DIESEL CAP LOCKABLE	1
5	301-0231.PRT	HYDRAULIC OIL LEVEL GUAGE- 5"	1
6	301-0136.PRT	1" DOWTY SEAL	1
7	301-0295.PRT	BSP 1" MALE STOPPER	1
8	510-002-010.ASM	CS408 FUEL TANK	1

2.11 Hydraulic Oil Tank



Intentionally Left Blank.

(1) Hydraulic Oil Tank Components



ITEM	PART NUMBER	DESCRIPTION	QTY
1	301-0009.ASM	HYDRAULIC TANK FILLER CAP	1
2	510-002-004-001.PRT	HYDRAULIC TANK LID	1
3	510-002-033.PRT	TANK COVER GASKET 10MM NITRILE	1
4	301-0006.PRT	SHORT RETURN LINE FILTER MPF 180 1A	1
5	301-0231.PRT	HYDRAULIC OIL LEVEL GUAGE- 5"	1
6	301-4169.PRT	3/4" BSP SUCTION FILTER MESH	2
7	301-4168.PRT	1" BSP SUCTION FILTER MESH	1

3 Record of Revision

Reason for change	Issue Number	From Machine	Date
New parts manual created.	1.0	RC-S48-0010	25 September 2024

Intentional Blank Page.



RUBBLECRUSHER

RUBBLECRUSHER HQ
Little Alton Farm, The Altons, Ravenstone, Coalville,
LE672AA
Tel: +44 01530 563600
Email: info@rubblecrusher.com